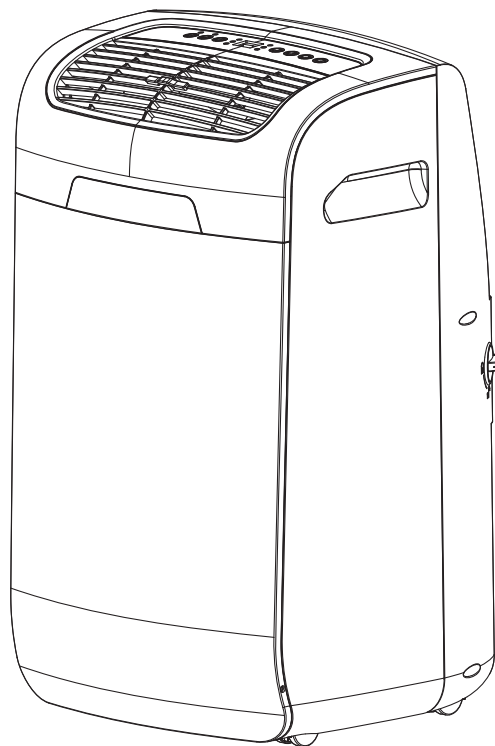




ITEM #0625616  
**PORTABLE AIR  
CONDITIONER**  
MODEL # RPAC12EA

Français p. 19

Español p. 37



ATTACH YOUR RECEIPT HERE

Serial Number \_\_\_\_\_ Purchase Date \_\_\_\_\_

U.S. Pat. No. 9057529B2



**Questions, problems, missing parts?** Before returning to your retailer, call our customer service department at 1-855-900-1298 (U.S.) / **1-855-900-1298** (Canada), Monday - Thursday, 8 a.m. - 6 p.m., EST, Friday, 8 a.m. - 5 p.m., EST.

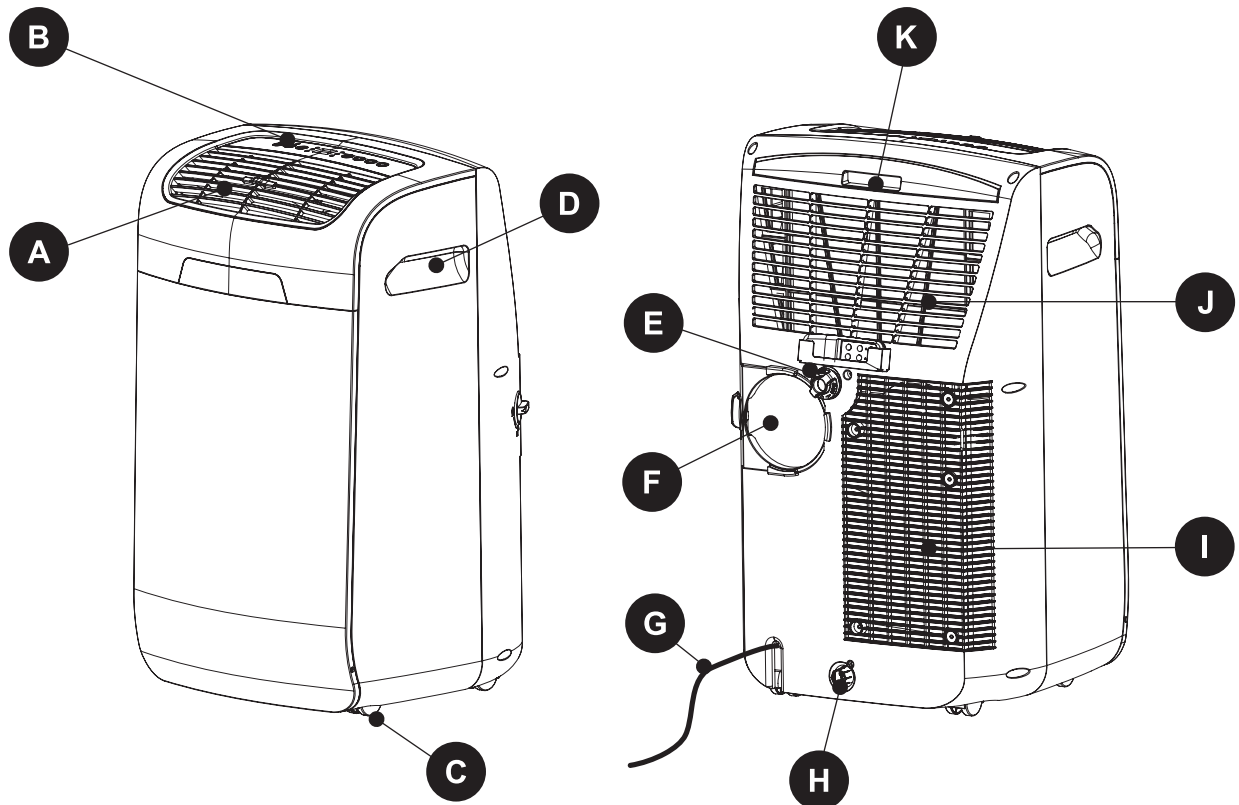


## TABLE OF CONTENTS

---

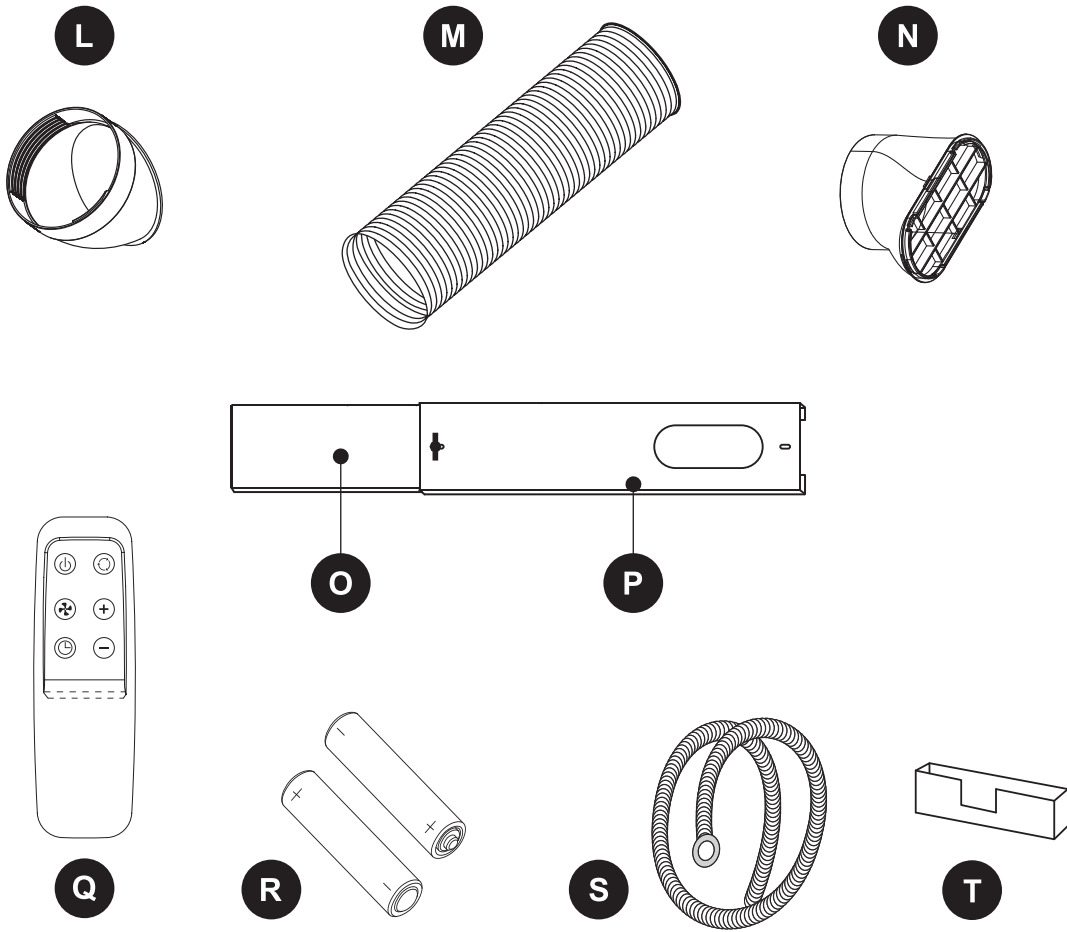
Package Contents.....	3
Safety Information.....	5
Preparation.....	5
Assembly Instructions.....	6
Operating Instructions .....	8
Care and Maintenance.....	15
Troubleshooting.....	16
Warranty.....	17
Replacement Parts List.....	18

## PACKAGE CONTENTS



PART	DESCRIPTION	QUANTITY
A	Air Outlet	1
B	Control Panel	1
C	Castor	4
D	Handle	2
E	Water Outlet Drain	1
F	Air Outlet	1
G	Power Supply Cord	1
H	Water Outlet Drain	1
I	Air Intake (Condensor)	1
J	Air Intake (Evaporator)	1
K	Air Filter	1

# PACKAGE CONTENTS



PART	DESCRIPTION	QUANTITY
L	Exhaust Nozzle Connector (to F)	1
M	Flexible Exhaust Hose	1
N	Window Panel Nozzle	1
O	Window Panel Extension	1
P	Window Panel	1
Q	Remote	1
R	AAA Batteries	2
S	Drain Hose	1
T	Remote Control Holder	1

## SAFETY INFORMATION

---

Please read and understand this entire manual before attempting to assemble, operate or install the product.

Portable air conditioners exhaust large amounts of room air. Always ensure an adequate supply of make-up air to operate efficiently.

- Check available power supply and resolve any wiring problems BEFORE installation and operation of this unit. All wiring must comply with local and national electrical codes and be installed by a qualified electrician. If you have any questions regarding the following instructions, contact a qualified electrician.
- This appliance draws 9,0 A amps and may be used in any properly wired general purpose 15 amp household grounded receptacle.
- For your safety and protection, this unit is grounded through the power cord plug when plugged into a matching wall outlet. If you are not sure whether the wall outlets in your home are properly grounded, consult a qualified electrician.

### DANGER

- Do not leave this unit unattended in a space where people or animals that cannot react to a failed unit are located. A failed unit can cause extreme overheating or death in such an enclosed, unattended space.

### WARNING

- Improper connection of the grounding plug can result in risk of fire, electric shock, and/or injury to persons associated with the appliance. Check with a qualified service representative if in doubt that the appliance is properly grounded.
- DO NOT USE PLUG ADAPTERS OR EXTENSION CORDS WITH THIS UNIT. If it is necessary to use an extension cord with this unit, use an approved “air conditioner” extension cord only.
- To avoid the possibility of personal injury, always disconnect the power supply to the unit before installing and/or servicing.
- The unit must be placed upright for a minimum of 1 hour before use.

### POWER SUPPLY CORD

The power cord supplied with this air conditioner contains a device that senses damage to the power cord. To test if your power cord is working properly, you must do the following:

- Connect the power supply cord to an electrical outlet.
- The power supply cord has two buttons located on the head of the plug. One button is marked “TEST” and the other is marked “RESET.” Press the “TEST” button; you will hear a click as the “RESET” button pops out.
- Press the “RESET” button; you will hear a click as the button engages.
- The power supply cord is now energized and supplying electricity to the air conditioner (on some products this is also indicated by a light on the plug head.)
- **Note:** The power cord supplied with this air conditioner contains a current leakage detection device designed to reduce the risk of fire. In the event the power supply cord is damaged, it cannot be repaired and must be replaced with a new cord from the product manufacturer.
- Under no circumstance should this device be used to turn the unit on or off.
- The reset button must always be pushed in (engaged) for correct operation.
- The power supply cord must be replaced if it fails to reset when the “TEST” button is pushed in.

### PREPARATION

---

Before beginning assembly of product, make sure all parts are present. Compare parts with package contents list. If any part is missing or damaged, do not attempt to assemble the product.

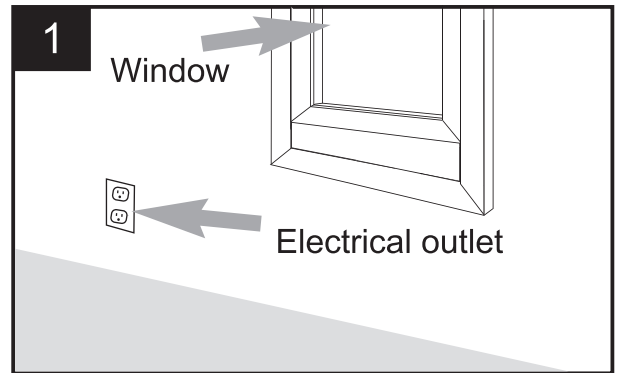
**Estimated Assembly Time:** 20 minutes

## ASSEMBLY INSTRUCTIONS

1. Select a suitable location for the unit, making sure you have access to an electrical outlet.

**! Important :**

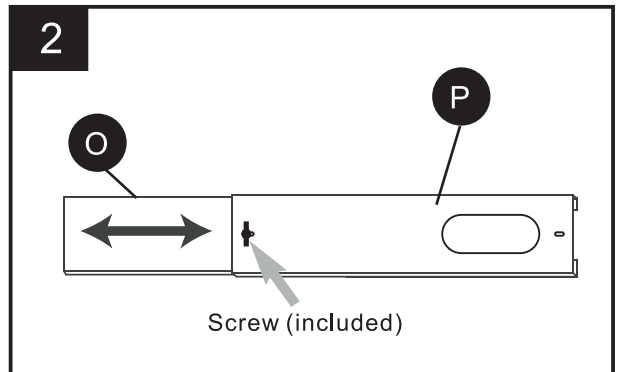
Not for use with casement windows.



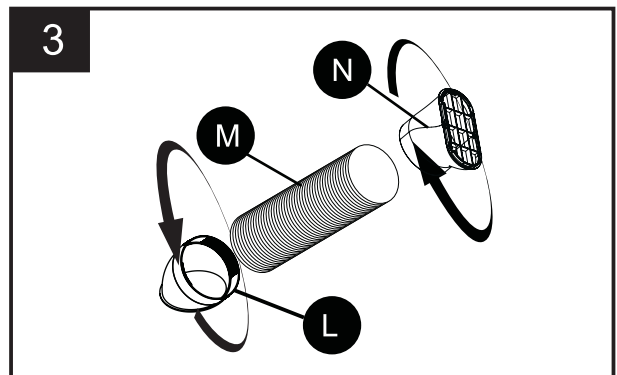
2. Insert window panel extension (O) into the window panel (P). Lightly tighten the preassembled screws in the window panel (P) to hold the extension (O) in place.

**! Important :**

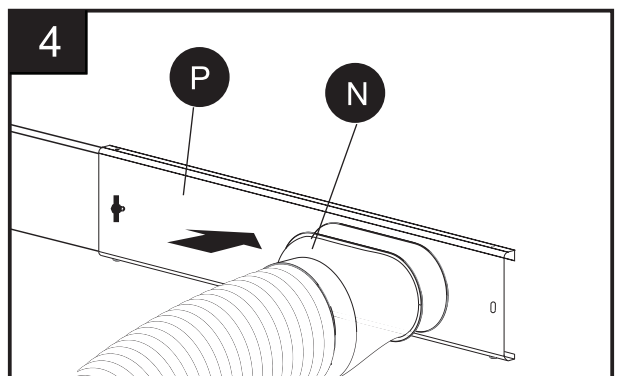
The window panel is designed to fit windows between 28.3 in. and 55.1 in. only. Sometimes, it may be necessary to cut the window panel extension (O) according to the width of your window.



3. Pull a small section of both ends of exhaust hose (M) out and attach exhaust nozzle connector (L) and window panel nozzle (N) to the exhaust hose (M).

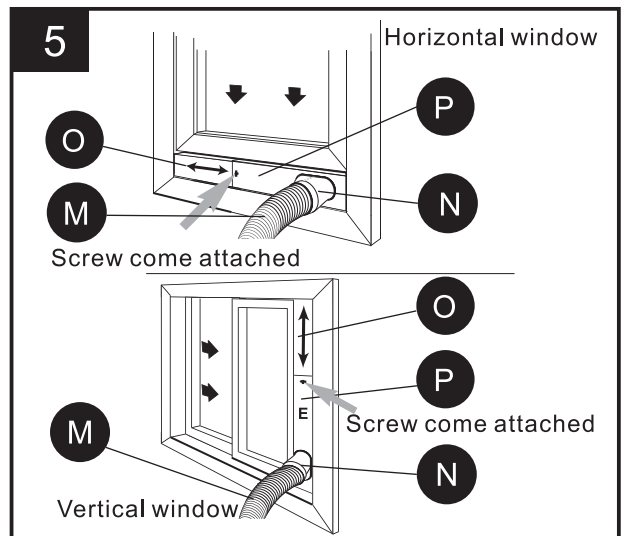


4. Attach the window panel nozzle (N) to the window panel (P).

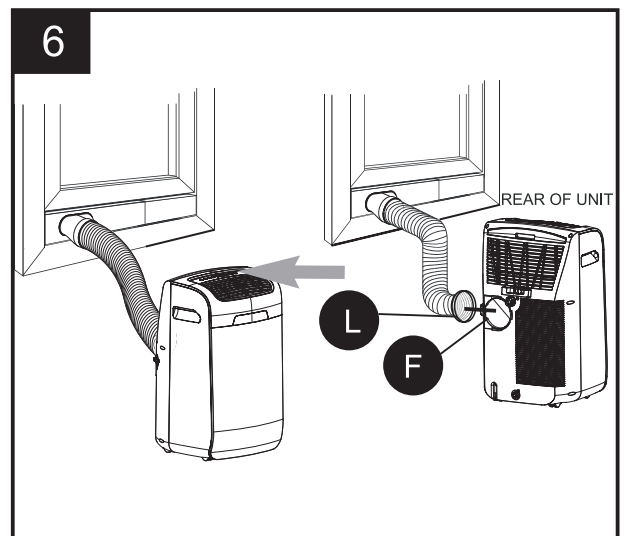


## ASSEMBLY INSTRUCTIONS

5. Install the window panel (P) by expanding it to fit the length of the window and fully tightening the pre-assembled screws in the middle.



6. Install exhaust nozzle connector (L) to the air outlet (F) on the rear side of unit.

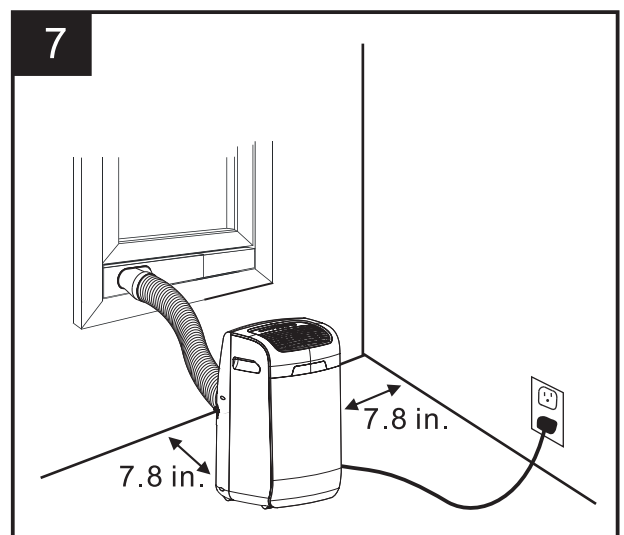


7. Plug the unit into a 115V/60Hz grounded electrical outlet.



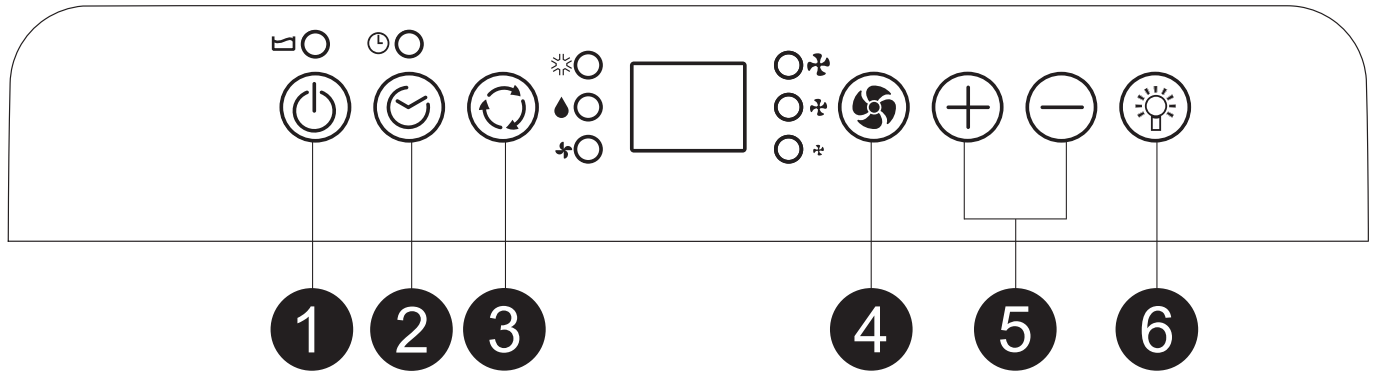
### Important :

Place the unit at least 7.8 in. away from the wall.



## OPERATING INSTRUCTIONS


Features of the Control Panel:



LED Display Note: The default display is room temperature

 Cooling Mode

 High Fan Speed

 Bucket Full Light  
(the machine will stop running)

 Dehumidify Mode

 Medium Fan Speed

 Display Auto-timer On/Off Setting

 Fan Only Mode

 Low Fan Speed

### Keypad Functions

1. **Power switch:** Turns unit on/off
2. **Auto timer**
3. **Mode:** Allows you to scroll through desired operating modes.
4. **Fan:** Select from three different fan settings: high, medium, and low.
5. **Up/down buttons:** By pressing both + and - buttons at the same time for more than 3 seconds, the display will toggle between Celsius and Fahrenheit. Press + and - for temperature change.
6. You can turn the front and top panel lights on and off by hitting the **Lamp On/Off switch.**

Bucket Full Light : Condensed water may accumulate in the unit. If the internal tank becomes full, the warning signal in the LED display will light up and the unit will not operate until it has been drained.

Note: After turning the unit off, it is necessary to wait 3 minutes before turning it back on again. The preset temperature of cooling mode is 24°C (75°F).

### AUTO RESTART






In the event of a power outage, the air conditioner restarts at the previously set function mode and settings when power is restored (does not include TIMER setting).



## OPERATING INSTRUCTIONS

### AIR CONDITIONING

**Note:** The exhaust hose must be properly vented outdoors during air conditioning mode.

- 1) Press the POWER SWITCH button to switch on the unit, and the room temperature will be shown in the temperature display area of the control panel. 
- 2) Press the MODE button until the COOL indicator light illuminates on the control panel. Each press of the MODE button will advance to a different mode setting (Cool - Dehumidifier - Fan). 
- 3) Press the appropriate increase (+) or decrease (-) buttons to select a suitable operating temperature setting. Temperature settings are adjustable between 16°C (61°F) to 32°C (89°F).   

- 4) Press the FAN button to select the desired fan speed setting (High-Med-Low). Your selection will appear on the control panel (each press of the fan key will advance to a different setting). 

Cooling stops automatically when the set temperature is achieved. Cooling resumes when the room temperature rises above the 'set' temperature level.

#### **Important :**

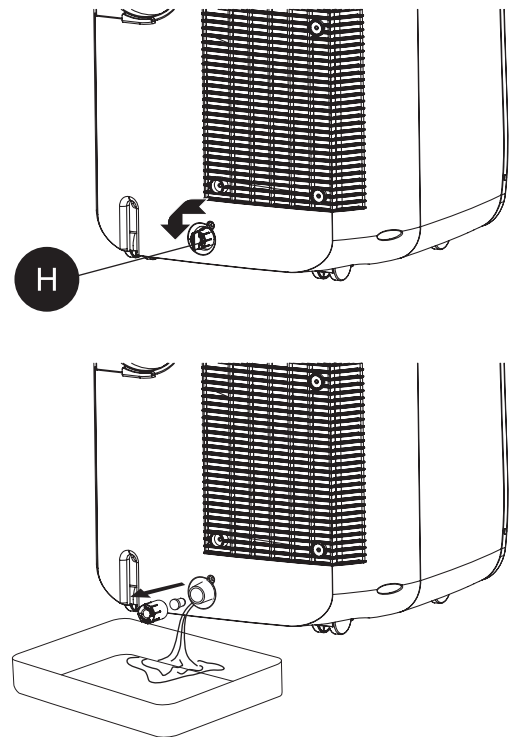
Never unscrew and remove the drain cover from the drain port at the rear of the unit while the unit is in air conditioning mode.

Do not use the dehumidifier drain pump in air conditioning mode.

### DRAINING EXCESS WATER

When the surrounding humidity is high, water may not fully evaporate. It will therefore be necessary to drain excess water from the internal tank of the unit. If the water tank in the unit becomes full, a 'full tank' indicator light will come on. To drain excess water:

1. Begin by placing a pan under the water outlet drain (H).
2. Unscrew the drain cover and remove the soft rubber stopper. Let the water drain into the pan. When the water stops draining out, replace the soft rubber stopper and tighten the drain cover.
3. Remove the pan of water and empty into a sink.
4. Operate the unit in Fan Mode to dry the interior of the unit.



## OPERATING INSTRUCTIONS

### DEHUMIDIFIER:

**IMPORTANT:** When you set the air conditioner in Dehumidifier Mode, you must connect the direct drain hose (S) , and you can choose to install or not install the exhaust hose (M). If you install the exhaust hose (M) in Dehumidifier Mode, then the room temperature may be decreased.

**Note:** For best dehumidification result, the exhaust hose should be dismantled.

- 1) Press the ON/OFF key pad to switch the unit on.
- 2) Press the MODE key until the DEHUMIDIFY indicator illuminates on the control panel. Each press of the MODE key will advance to a different mode setting (Cool-Dehumidifier-Fan).

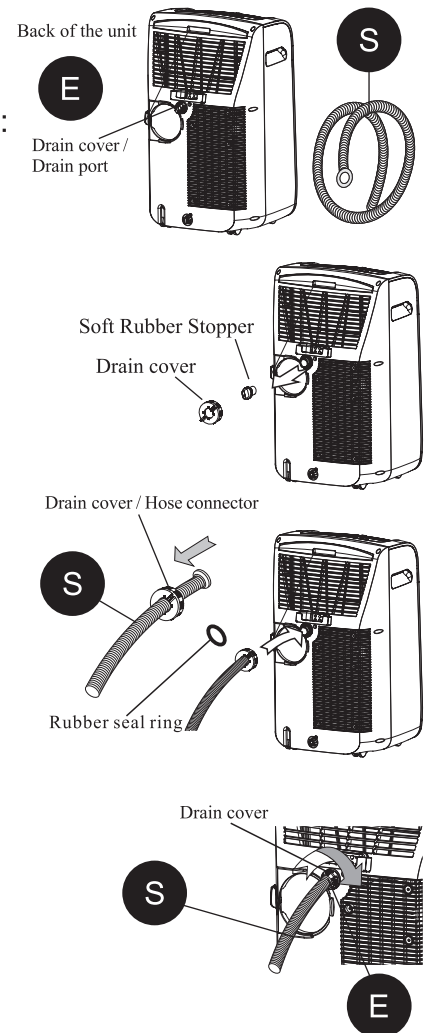


**IMPORTANT:** There is no temperature nor humidity adjustment during dehumidifier mode. If the room temperature is greater than 77°F (25°C), the fan speed can be adjusted. Otherwise the fan speed is fixed at LOW speed. Your machine shall continue to dehumidify until you decided to shut it off.

### INSTALLING DRAIN HOSE

The continuous drain function can be set up using the following steps:

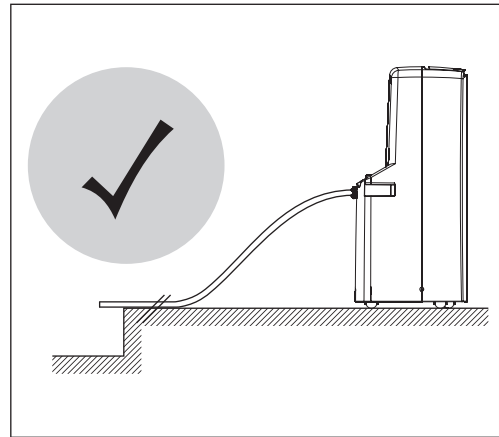
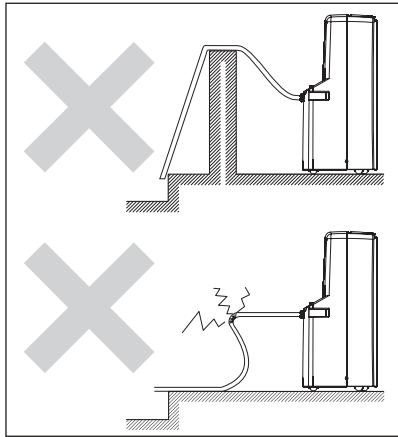
- 1) This unit can be configured for continuous drain. You can use the supplied drain hose (S) to connect the continuous drain connector (E) .
- 2) Unscrew and remove the drain cover from the drain port at the rear of the unit (E) .
- 3) Remove the soft rubber stopper from the drain cover and save it for reusing when you do not require draining.
- 4) Insert the drain hose (S) through the hole of the drain cover.
- 5) Ensure the rubber seal ring is properly seated in the end of drain cover / hose connector.
- 6) Connect the drain hose (S) to the drain port (E.)
- 7) Tighten the drain cover clockwise onto the rear of the unit.
- 8) Place the opposite end of the drain hose (S) into a floor drain.



## OPERATING INSTRUCTIONS

---

When using the continuous drain function, the drain hose must be placed horizontally below the drainage hole. Avoid uneven ground and folding the hose. NOTE: Should you damage or misplace the drain hose, a standard garden hose (not included) can be used as a replacement.



### FAN MODE:

**Note:** During Fan Mode, the exhaust hose does not have to be vented outdoors.

1) Press the POWER SWITCH button to turn the unit on.



2) Press the MODE button until the FAN indicator illuminates on the control panel. Each press of the MODE button will advance to a different mode setting (Cool-Dehumidifier-Fan) .



3) Press the FAN button to select the desired FAN SPEED setting. Your selection will appear on the control panel. Each press of the fan button will advance to a different fan speed (High-Med-Low).



## OPERATING INSTRUCTIONS

---

### AUTO-TIMER:

#### While the Air Conditioner is in OFF/Standby Mode (Auto - On):

- 1) Press the Timer button once and the adjacent Auto-Timer display will illuminate.
- 2) Use the (+) or (-) buttons to select a delayed Off Time of up to 24 hours.
- 3) Select the appropriate mode under which you want the unit to operate (Cool-Dehumidify-Fan) .
- 4) Select the fan speed setting.
- 5) The time you selected will appear in the LED display.
- 6) To cancel the Timer function, press the TIMER button and adjust the number to 00.

#### While the Air Conditioner is on (Auto-Off):

(During Cooling mode, your machine can automatically cycle ON/OFF, according to your set temperature. However, if you need your machine to shut down at a specific time within the 24 Hour setting, you may use the Auto OFF timer.)

- 1) Press the Timer button and the adjacent Auto-Timer display will illuminate.
- 2) Use the (+) or (-) buttons to select a delayed Off Time of up to 24 hours.
- 3) The auto-off setting will be automatically confirmed in 5 seconds and room temperature will be shown in the temperature display area of control panel.
- 4) To cancel the Timer function, press the TIMER button and adjust the number to 00.

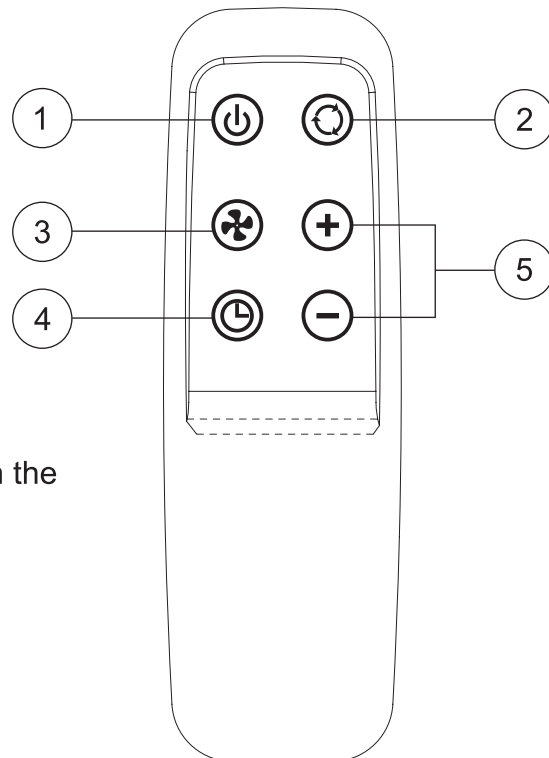
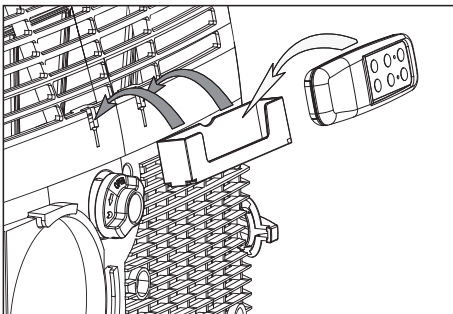
### REMOTE CONTROL:

#### Control Buttons:

- 1) Power
- 2) Mode
- 3) Fan Speed
- 4) On/Off Timer
- 5) Timer/Temperature Set

#### Remote Control Holder Installation:

Align the remote control holder (T) with holes on the back of the unit and attach to the unit.



## OPERATING INSTRUCTIONS

---

### REMOTE CONTROL:

The timer setting is programmable from 1-24 hours by first pressing the On/Off Timer button and then the Time/Temperature Set buttons.

When either the + or - button is pressed in cool mode, the set temperature is displayed and may be adjusted. After 10 seconds, the display will revert back to room temperature.

Two AAA Alkaline non-rechargeable batteries (R) (included) are required to operate the hand-held remote control. Batteries should be replaced when:

a) No signal (beep) is heard when attempting to program the main unit using the remote.

b) The main unit does not respond to a command issued by the remote control.

Battery replacement:

1) Gently slide the rear cover on the remote in the direction of the arrow until it separates completely from the unit.

2) Insert two Alkaline AAA non-rechargeable batteries following the same orientation (polarity) depicted inside the battery chamber (+/-).

3) Reinstall the rear cover.

4) If the remote control will not be used for extended periods of time, the batteries should be removed.

Notes:

1) Do not drop the remote control.

2) Do not place the remote control in a location exposed to direct sunlight.

3) Protect the remote control from high temperatures, and keep it away from radiation exposure.

4) Keep the control panel receiver out of direct sunlight.

5) If the remote control will not be used for extended periods of time (vacations, etc.), the batteries should be removed until they will be used again.

6) Do not mix old and new batteries.

7) Do not mix alkaline, standard (carbon-zinc) or rechargeable (NiCD, NiMH, etc.) batteries.

## OPERATING INSTRUCTIONS

---

### Notes:

- 8) Do not attempt to recharge non-rechargeable batteries.
- 9) Dead batteries must be removed from the product and disposed of properly. Rechargeable batteries and batteries made before 1997 cannot be thrown away and must be recycled properly.
- 10) This Class B digital apparatus complies with ICES-003.
- 11) The remote operates within a range of 26 ft. from the receiver located inside the main unit. Any obstruction between the receiver and remote may cause signal interference, limiting the ability to program the main unit.

Note: This equipment has been tested and found to comply with the limits for a Class B digital device, pursuant to part 15 of the FCC Rules. These limits are designed to provide reasonable protection against harmful interference in a residential installation. This equipment generates, uses, and can radiate radio frequency energy and, if not installed and used in accordance with the instructions, may cause harmful interference to radio or television reception, which can be determined by turning the equipment off and on, the user is encouraged to try to correct the interference by one of more of the following measures:

- 1) Reorient or relocate the receiving antenna.
  - 2) Increase the separation between the equipment and receiver.
  - 3) Connect the equipment into an outlet on a circuit different from that to which the receiver is connected.
  - 4) Consult the dealer or an experienced radio/TV technician for help.
- Changes or modifications not approved by the party responsible for FCC compliance could void the user's authority to operate the equipment. This appliance complies with Part 15 of the FCC Rules.

Operation is subject to the following two conditions:

- 1) This device may not cause harmful interference.
- 2) This device must accept any interference received, including interference that may cause undesired operation.

## CARE AND MAINTENANCE

---

**CAUTION:** Before cleaning or servicing this unit, disconnect from any electrical supply outlet.

- 1) DO NOT use gasoline, benzene, thinner, or any other chemicals to clean this unit, as these substances may cause damage to the finish and deform plastic parts.
- 2) NEVER attempt to clean the unit by pouring water directly over any of the surface areas, as this will cause deterioration of electrical components and wiring insulation.
- 3) Always unplug the unit before servicing.
- 4) Clean the unit by wiping off any dirt/dust with a soft damp cloth or vacuum cleaner, then wipe dry with a dry soft cloth.

**CAUTION:** Always store the unit in vertical position. DO NOT put heavy objects on top of the unit.

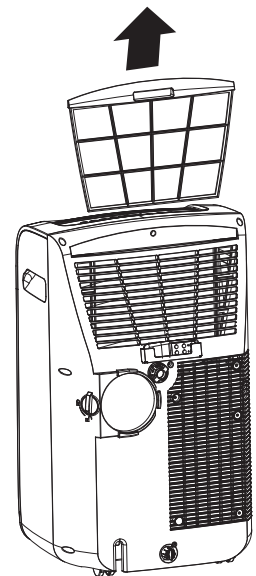
### CLEANING THE AIR FILTER:

**CAUTION:** Never operate this unit without the air filter in place, as this may result in damage to the unit.

If the air filter becomes clogged with dust/dirt, air flow is restricted, which reduces cooling efficiency. The air filter should be cleaned every two (2) weeks. More frequent cleaning may be necessary depending on indoor air quality.

**NOTE:** The air filter is located at the upper rear side of the unit.

- 1) To remove the air filter: Pull the air filter cover upward in the direction of the arrow and remove the air filter.
- 2) Dust/dirt clogged in the filter can be removed by vacuum cleaning the soiled areas.
- 3) The filter can also be washed in lukewarm, soapy water while rubbing it lightly with a brush. A mild detergent (such as dishwashing liquid) is recommended.
- 4) Rinse the filter well using clean water. Allow time to dry before reinstalling into the unit.
- 5) Replace the air filter and cover.
- 6) Replacement air filter information is available by contacting the customer service department at: 1-855-900-1298 (U.S.) / 1-800-919-6198 (Canada).



## TROUBLESHOOTING

PROBLEM	POSSIBLE CAUSE	CORRECTIVE ACTION
Unit does not work.	<ol style="list-style-type: none"> <li>1. Power is out .</li> <li>2. Unit not plugged in properly.</li> <li>3. Water tank is full. Bucket full light will illuminate.</li> <li>4. Electrical current leaking or test button on LCDI plug is being pressed.</li> </ol>	<ol style="list-style-type: none"> <li>1. Wait for power to return.</li> <li>2. Plug in properly.</li> <li>3. Remove drain water from the drain tank (refer to page 9).</li> <li>4. Press the reset button after resolving problem.</li> </ol>
Unit suddenly stops during operation.	<ol style="list-style-type: none"> <li>1. Indoor set temperature has been reached.</li> <li>2. The preset time is up.</li> <li>3. Water tank is full. Bucket full light illuminate.</li> </ol>	<ol style="list-style-type: none"> <li>1. Unit will restart when temperature arises.</li> <li>2. Reset the timer.</li> <li>3. Remove drain water from drain tank (refer to page 9).</li> </ol>
Unit runs intermittently.	<ol style="list-style-type: none"> <li>1. Surrounding temperature is more warm/more cool than your temperature setting.</li> <li>2. Exhaust duct hose is blocked.</li> </ol>	<ol style="list-style-type: none"> <li>1. This is normal. Unit doesn't need to be operating constantly in this condition.</li> <li>2. Check and unblock the duct hose.</li> </ol>
Unit functions but the room is not cooled.	<ol style="list-style-type: none"> <li>1. Window or door is open in room.</li> <li>2. There is a heat source or too many people in the room.</li> <li>3. Air intake grille is clogged.</li> <li>4. Filter is too dirty.</li> <li>5. Temperature setting is too high/warm.</li> </ol>	<ol style="list-style-type: none"> <li>1. Close all windows/doors.</li> <li>2. Move any heat sources from room, move unit close to where you sit. This portable air conditioner is for spot cooling only and needs to be placed closer to your sitting area for best cooling effect.</li> <li>3. Clean air intake grille.</li> <li>4. Replace the filter.</li> <li>5. Lower the temp. setting.</li> </ol>
Condensed water spills out when moving the unit.	<ol style="list-style-type: none"> <li>1. The water tank is nearly full.</li> </ol>	<ol style="list-style-type: none"> <li>1. Follow instructions on page 9 for draining water.</li> </ol>



## WARRANTY

---

### LIMITED APPLIANCE WARRANTY

This quality product is warranted to be free from manufacturer's defects in material and workmanship, provided that the unit is used under the normal operating conditions intended by the manufacturer. This warranty is available only to the person to whom the unit was originally sold by manufacturer or by an authorized distributor of manufacturer, and is non-transferable.

### TERMS OF WARRANTY

Plastic parts, are warranted for thirty (30) days only from purchase date, with no extensions provided.

#### First 12 Months:

During the first twelve (12) months, any functional parts of this product found to be defective, will be repaired or replaced, at warrantor's option, at no charge to the ORIGINAL purchaser.

To obtain service, see contact information below:

U.S. Residents: Call 1-855-900-1298

CANADA Residents: Call 1-855-900-1298

**or RETURN TO THE STORE WHERE PURCHASED FOR REPLACEMENT.**

### EXCLUSIONS

Save as herein provided, manufacturer, there are no other warranties, conditions, representations or guarantees, express or implied, made or intended by manufacturer or its authorized distributors and all other warranties, conditions, representations or guarantees, including any warranties, conditions, representations or guarantees under any Sale of Goods Act or like legislation or statute is hereby expressly excluded. Save as herein provided, manufacturer shall not be responsible for any damages to persons or property, including the unit itself, howsoever caused or any consequential damages arising from the malfunction of the unit and by the purchase of the unit, the purchaser does hereby agree to indemnify and hold harmless manufacturer from any claim for damages to persons or property caused by the unit.

As some states do not allow the limitation or exclusion of incidental or consequential damages, or do not allow limitation on implied warranties, the above limitations and exclusions may not apply to you. This warranty gives you specific legal rights, and you may also have other rights that vary from state to state.

### GENERAL PROVISIONS

No warranty or insurance herein contained or set out shall apply when damage or repair is caused by any of the following:

- 1) Power failure.
- 2) Damage in transit or when moving the appliance.
- 3) Improper power supply such as low voltage, defective house wiring or inadequate fuses.
- 4) Accident, alteration, abuse or misuse of the appliance such as inadequate air circulation in the room or abnormal operating conditions (extremely high or low room temperature).
- 5) Use for commercial or industrial purposes (ie. If the appliance is not installed in a domestic residence).
- 6) Fire, water damage, theft, war, riot, hostility, acts of God such as hurricanes, floods, etc.
- 7) Service calls resulting in customer education.
- 8) Improper Installation (ie. Building-in of a free standing appliance or using an appliance outdoors that is not approved for outdoor application).

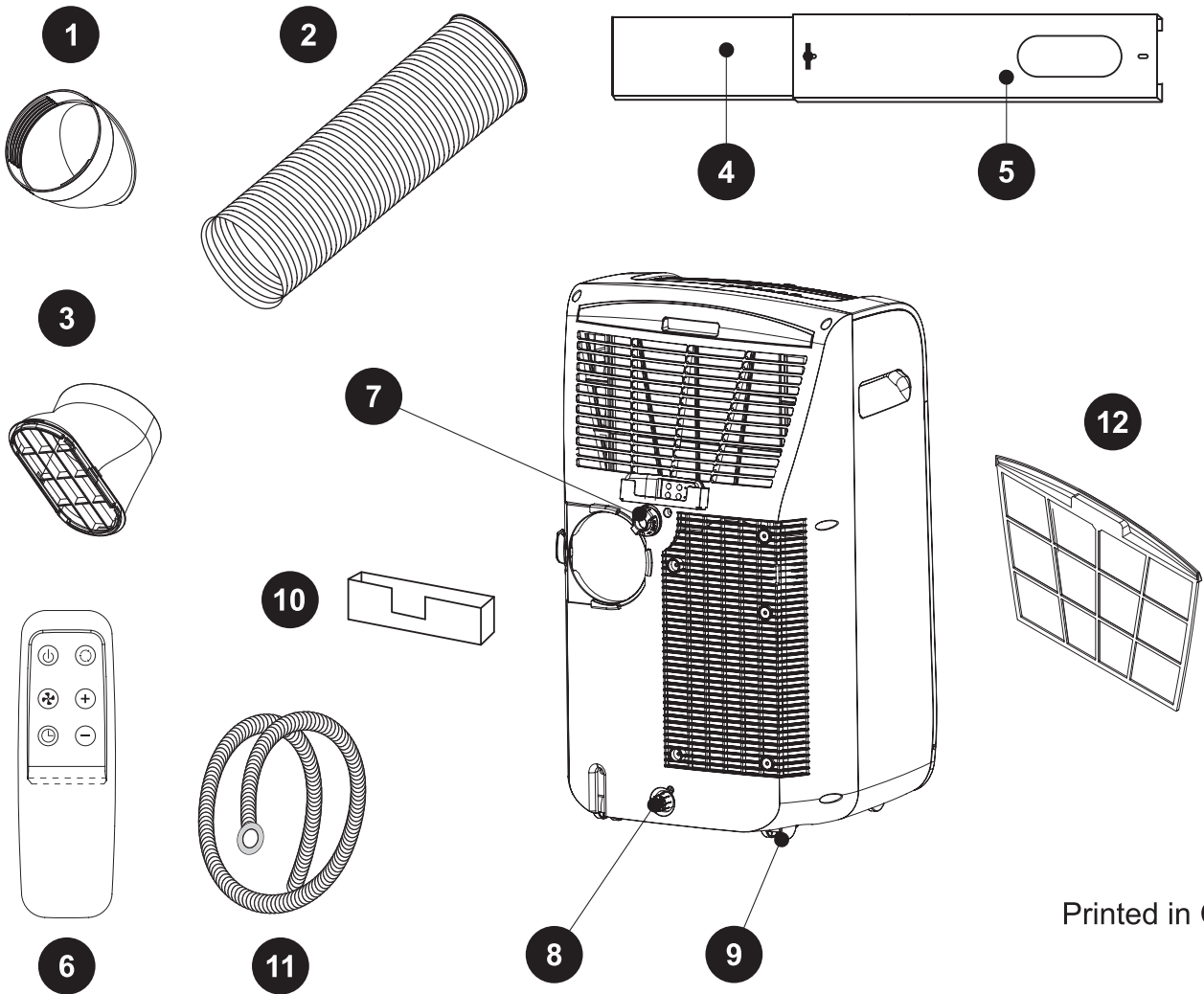
Proof of purchase date will be required for warranty claims; so, please retain bills of sale.



## REPLACEMENT PARTS LIST

For replacement parts, call our customer service department at 1-855-900-1298 (U.S.) / **1-855-900-1298** (Canada), 8 a.m. - 6 p.m., EST, Monday – Thursday, 8 a.m. - 5 p.m., EST, Friday.

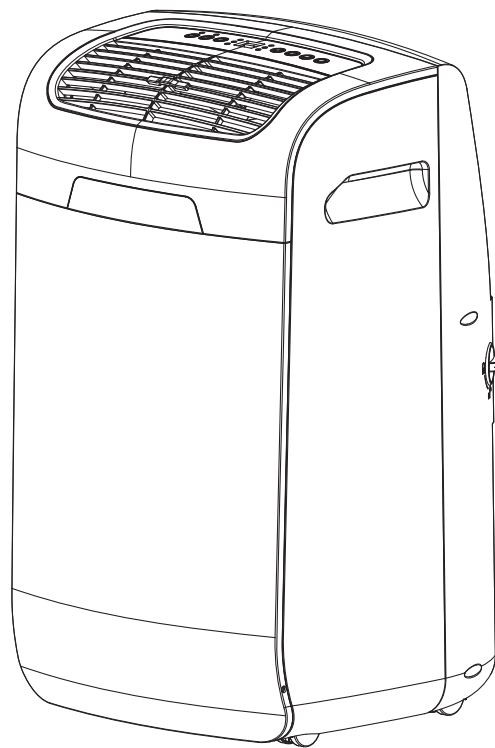
PART	DESCRIPTION	PART #
1	Exhaust Nozzle Connector	A5815-320-H-D2
2	Flexible Exhaust Hose	A6200-070-D2
3	Window Panel Nozzle	A4267-010-D2
4	Window Panel Extension	A5700-663-V-D2
5	Window Panel	A5700-642-V-D2
6	Remote	A2529-090-AA14
7	Drain Cover ( Dehumidifier Direct Drain )+Drain Plug	A7305-020-A-D2
8	Bottom Drain Cover	A7305-030-A-22
9	Castor	A7402-020
10	Remote control holder	A5825-620-A-D2
11	Direct Drain Hose	D7216-020
12	Air Filter	A7331-010



Printed in China



ARTICLE #0625616  
**CLIMATISEUR  
PORTATIF**  
MODÈLE #RPAC12EA



JOIGNEZ VOTRE REÇU ICI

Numéro de série \_\_\_\_\_ Date d'achat \_\_\_\_\_

U.S. Pat. No. 9057529B2



**Des questions, des problèmes, des pièces manquantes?** Avant de retourner l'article au détaillant, appelez notre service à la clientèle au 1 855 900-1298 (États-Unis) / **1 855 900-1298** (Canada), entre 8 h et 18 h (HNE), du lundi au jeudi, ou entre 8 h et 17 h (HNE) le vendredi.

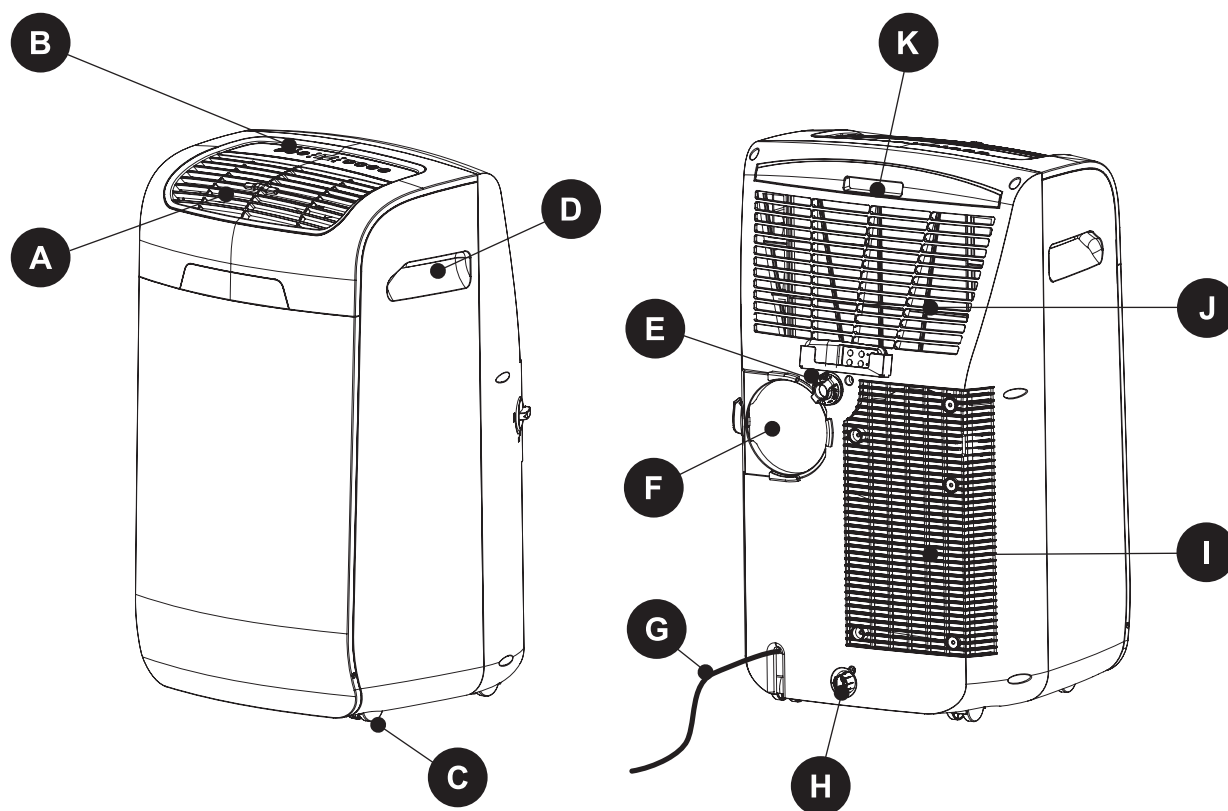


## TABLE DES MATIÈRES

---

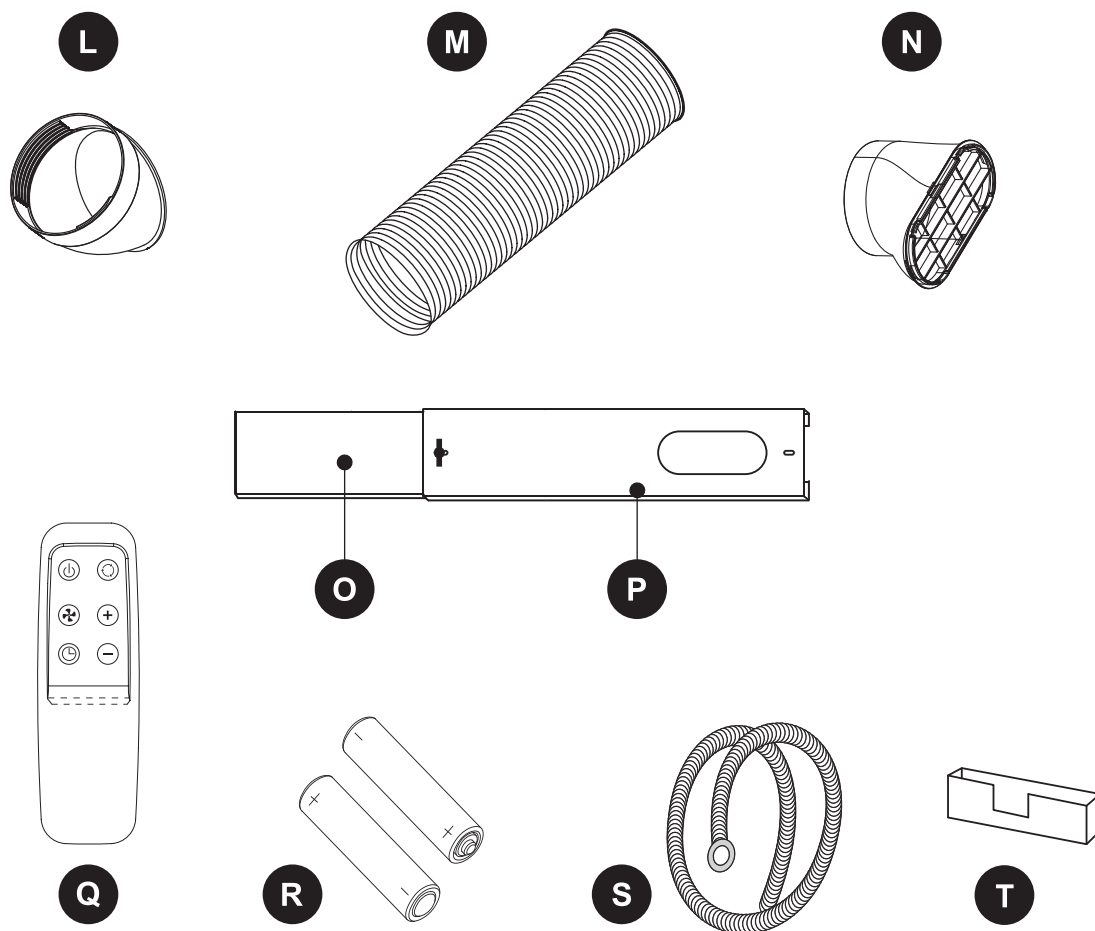
Contenu de l'emballage.....	21
Consignes de sécurité.....	23
Préparation.....	23
Instructions pour l'assemblage.....	24
Mode d'emploi.....	26
Entretien.....	33
Dépannage.....	34
Garantie.....	35
Liste des pièces de rechange.....	36

## CONTENU DE L'EMBALLAGE



PIÈCE	DESCRIPTION	QUANTITÉ
A	Sortie d'air	1
B	Panneau de commande	1
C	Roulette	4
D	Poignée	2
E	Sortie d'eau	1
F	Sortie d'air	1
G	Cordon d'alimentation	1
H	Sortie d'eau	1
I	Entrée d'air (condensateur)	1
J	Entrée d'air (évaporateur)	1
K	Filtre à air	1

## CONTENU DE L'EMBALLAGE



PIÈCE	DESCRIPTION	QUANTITÉ
L	Raccord de la buse d'évacuation (se raccorde à la sortie F)	1
M	Tuyau d'évacuation flexible	1
N	Buse du panneau de fenêtre	1
O	Rallonge du panneau de fenêtre	1
P	Panneau de fenêtre	1
Q	Télécommande	1
R	Piles AAA	2
S	Tuyau de vidange	1
T	Support pour la télécommande	1

## **CONSIGNES DE SÉCURITÉ**

---

Assurez-vous de lire et de comprendre l'intégralité du présent manuel avant de tenter d'assembler, d'utiliser ou d'installer l'article.

Les climatiseurs portatifs évacuent de grandes quantités d'air ambiant. Assurez-vous qu'il y a toujours une circulation suffisante d'air d'appoint pour garantir le bon fonctionnement de votre appareil.

- Vérifiez l'alimentation électrique et réglez tout problème de câblage AVANT d'installer et de faire fonctionner cet article. Le câblage doit être effectué par un électricien qualifié conformément aux codes de l'électricité en vigueur dans votre pays et votre région. Si vous avez des questions au sujet des instructions suivantes, communiquez avec un électricien qualifié.
- Cet appareil nécessite une intensité nominale de 9,0 A et peut être branché sur n'importe quelle prise domestique mise à la terre de 15 A à usage général.
- Pour votre sécurité et votre protection, cet article est mis à la terre par l'intermédiaire de la fiche du cordon d'alimentation lorsque celle-ci est branchée sur une prise murale compatible. Si vous n'êtes pas certain que les prises murales de votre domicile sont correctement mises à la terre, consultez un électricien qualifié.

### **DANGER**

- Ne laissez pas l'article sans surveillance dans une pièce où se trouve une personne ou un animal qui ne saurait réagir adéquatement au cas où celui-ci présenterait une défaillance. Une défaillance risque de provoquer une surchauffe extrême pouvant entraîner la mort dans un espace clos laissé sans surveillance.

### **AVERTISSEMENT**

- Un branchement inadéquat de la fiche de mise à la terre risque de provoquer un incendie, une décharge électrique ou des blessures. Consultez un représentant qualifié si vous n'êtes pas certain que le climatiseur est adéquatement mis à la terre.
- **N'UTILISEZ PAS DE FICHE D'ADAPTATION NI DE RALLONGE AVEC CET ARTICLE.** Si une rallonge est nécessaire, utilisez uniquement une rallonge approuvée conçue pour les climatiseurs.
- Pour éviter de vous blesser, débranchez toujours l'appareil de sa source d'alimentation avant de l'installer ou de l'entretenir.
- Cet appareil doit être laissé à la verticale pendant au moins une heure avant d'être utilisé.

### **CORDON D'ALIMENTATION**

Un dispositif détecte les dommages subis par le cordon d'alimentation. Pour vérifier si le cordon fonctionne correctement, procédez comme suit :

- Branchez le cordon sur une prise de courant.
- Vous trouverez deux boutons sur la tête de la fiche du cordon. Ces boutons sont appelés TEST (Essai) et RESET (Réinitialisation). Appuyez sur le bouton TEST; vous entendez un déclic au moment où le bouton RESET se soulève.
- Appuyez sur le bouton RESET; vous entendez un autre déclic alors que le bouton s'enfonce.
- Le cordon d'alimentation est maintenant sous tension et il fournit de l'électricité au climatiseur (sur certains modèles, un voyant situé sur la tête de la fiche indique également la mise sous tension).
- **Remarque :** Le cordon d'alimentation du climatiseur est muni d'un dispositif de détection des fuites de courant conçu pour réduire le risque d'incendie. Si le cordon d'alimentation est endommagé, vous devez le remplacer par un cordon neuf fourni par le fabricant du produit, car il est impossible de le réparer.
- Ce dispositif ne doit jamais servir à allumer ou à éteindre le climatiseur.
- Pour que le climatiseur fonctionne correctement, le bouton RESET doit être enfoncé.
- Vous devez remplacer le cordon d'alimentation si la réinitialisation échoue lorsque vous appuyez sur le bouton TEST.

### **PRÉPARATION**

---

Avant de commencer l'assemblage de l'article, assurez-vous d'avoir toutes les pièces. Comparez le contenu de l'emballage avec la liste des pièces. S'il y a des pièces manquantes ou endommagées, ne tentez pas d'assembler l'article.

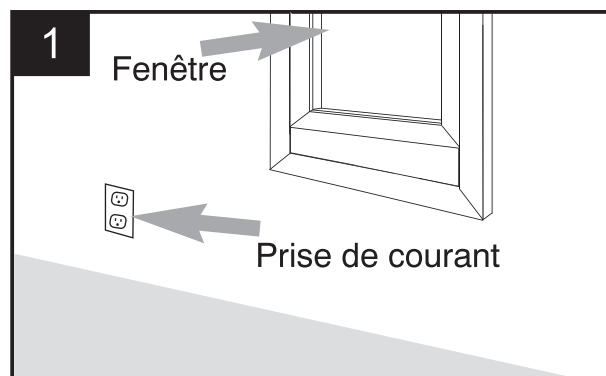
**Temps d'assemblage approximatif :** 20 minutes.

## INSTRUCTIONS POUR L'ASSEMBLAGE

1. Choisissez un emplacement approprié pour l'appareil, en vous assurant d'avoir accès à une prise de courant.

**⚠ Important :**

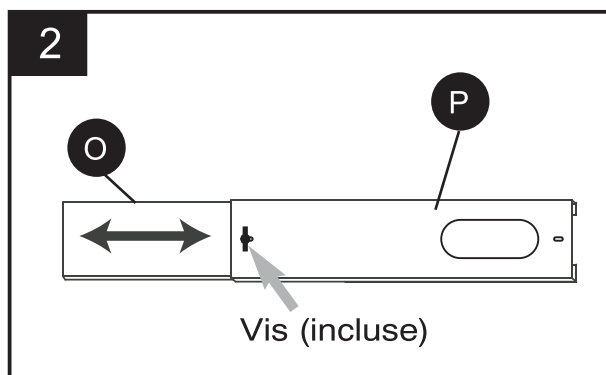
N'utilisez pas l'appareil avec des fenêtres à battants.



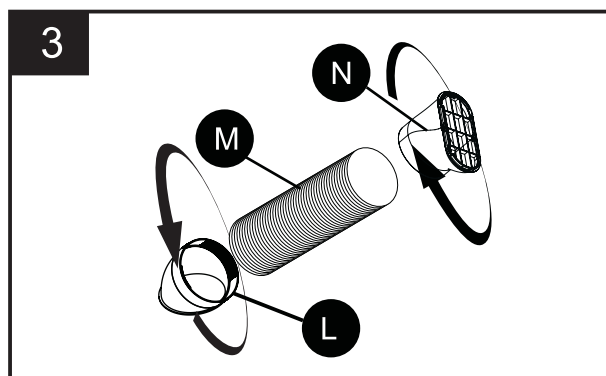
2. Insérez la rallonge du panneau de fenêtre (O) dans le panneau de fenêtre (P). Serrez légèrement les vis préassemblées du panneau de fenêtre (P) afin de maintenir la rallonge (O) en place.

**⚠ Important :**

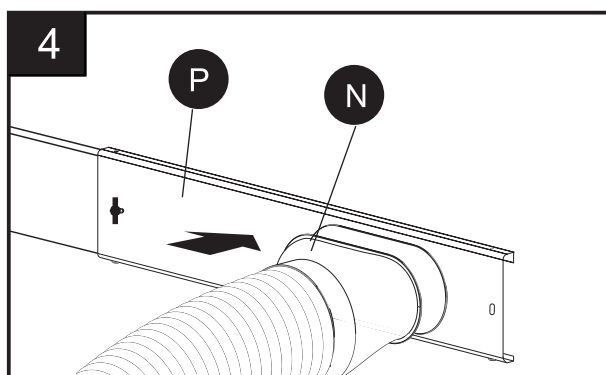
Le panneau de fenêtre convient uniquement à des fenêtres de 28,3 po à 55,1 po. Il est possible que vous ayez à couper la rallonge du panneau de fenêtre (O) en fonction de la largeur de votre fenêtre.



3. Étirez légèrement le tuyau d'évacuation (M) sur ses deux extrémités. Fixez-y d'un côté le raccord de la buse d'évacuation (L) et de l'autre, la buse du panneau de fenêtre (N).



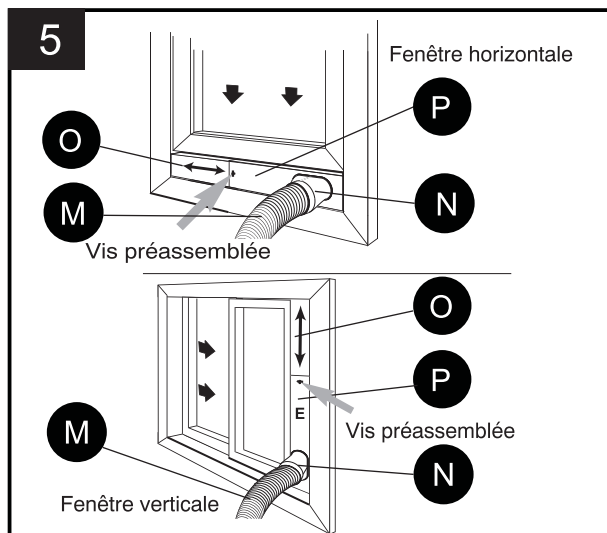
4. Fixez la buse du panneau de fenêtre (N) au panneau de fenêtre (P).



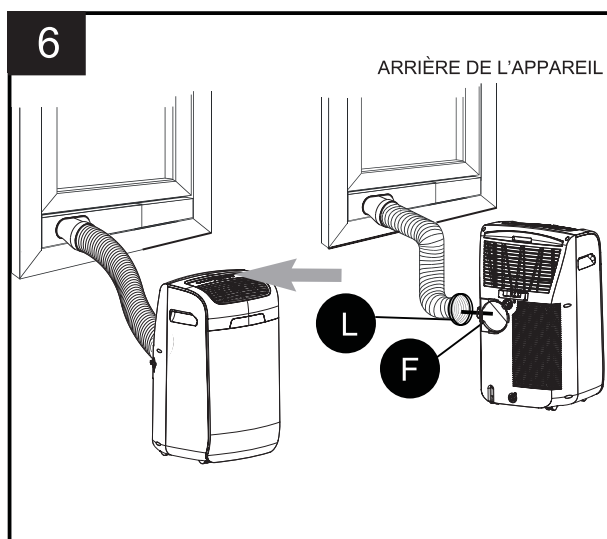


## INSTRUCTIONS POUR L'ASSEMBLAGE

5. Installez le panneau de fenêtre (P) en l'allongeant jusqu'à ce qu'il corresponde à la largeur de la fenêtre, puis en serrant complètement les vis préassemblées qui se trouvent au centre.



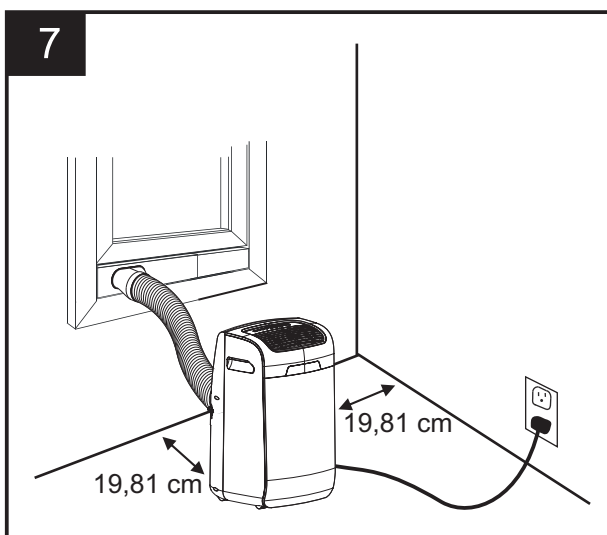
6. Connectez le raccord de la buse d'évacuation (L) à la sortie d'air (F) située à l'arrière de l'appareil.



7. Branchez l'appareil sur une prise mise à la terre de 115 V à 60 Hz.

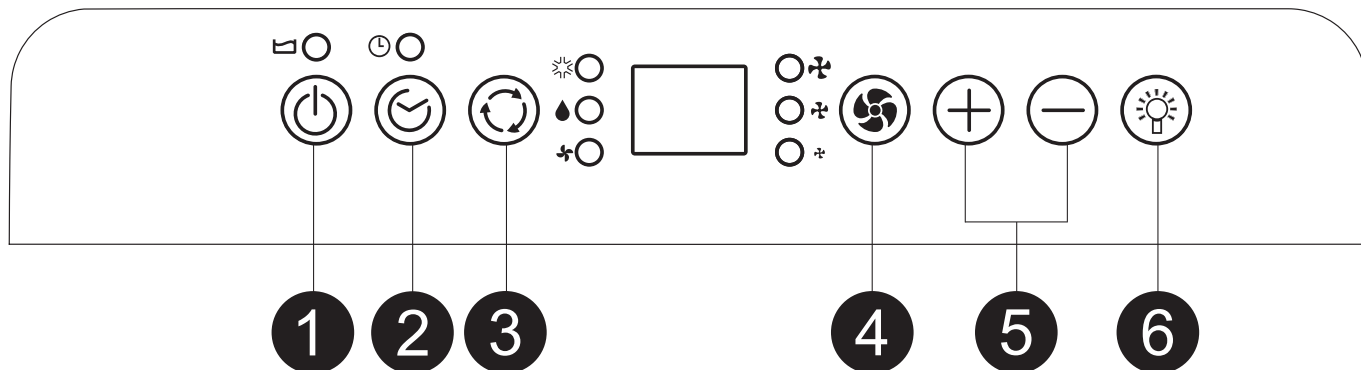
### **!** Important :

Placez l'appareil à une distance d'au moins 19,81 cm du mur.



## MODE D'EMPLOI

Caractéristiques du panneau de commande :



Affichage à DEL Remarque : La valeur affichée par défaut est la température ambiante.

- |                             |                                |   |
|-----------------------------|--------------------------------|---|
| Mode Climatisation          | Vitesse de ventilateur élevée  | Voyant pour réservoir plein (le climatiseur s'éteindra) |
| Mode Déshumidification      | Vitesse de ventilateur moyenne | Indicateur de minuterie automatique                     |
| Mode Ventilation uniquement | Vitesse de ventilateur faible  |   |

### Touches

1. Interrupteur : permet d'allumer et d'éteindre l'appareil.
2. Minuterie automatique.
3. Mode : permet de parcourir les différents modes de fonctionnement.
4. Ventilateur : permet de sélectionner l'une des trois vitesses de ventilateur, soit élevée, moyenne et faible.
5. Touches Plus et Moins : si vous maintenez les deux touches enfoncées simultanément pendant plus de 3 secondes, vous passez des degrés Celsius aux degrés Fahrenheit, ou l'inverse. Utilisez les touches Plus et Moins pour régler la température.
6. En appuyant sur **l'interrupteur ON/OFF (marche/arrêt) de la lampe**, vous pouvez allumer ou fermer les lumières des panneaux supérieur et avant.

Voyant pour réservoir plein : il est possible que de l'eau condensée s'accumule dans le climatiseur. Lorsque le réservoir interne est plein, le signal d'avertissement de l'afficheur à DEL s'allume, et le climatiseur cesse de fonctionner jusqu'à ce que le réservoir soit vidé.

Remarque : lorsque vous éteignez le climatiseur, il est nécessaire de patienter 3 minutes avant de le rallumer.




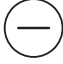

La température présélectionnée du mode Climatisation est de 24°C (75°F).

### REMISE EN MARCHÉ AUTOMATIQUE

Si une coupure d'électricité survient, le climatiseur reprend son fonctionnement lorsque le courant revient avec le dernier mode et les derniers réglages sélectionnés (en excluant le réglage de la MINUTERIE).

### CLIMATISATION

**Remarque :** En mode Climatisation, le tuyau d'évacuation doit amener correctement l'air à l'extérieur.

- 1) Appuyez sur le bouton INTERRUPTEUR pour allumer l'appareil. La température ambiante s'affiche dans la zone d'affichage de la température du panneau de commande. 
- 2) Appuyez sur la touche MODE jusqu'à ce que le voyant de CLIMATISATION s'allume sur le panneau de commande. Chaque pression sur la touche MODE change le mode sélectionné (Climatisation – Déshumidification – Ventilation). 
- 3) Sélectionnez une température de fonctionnement convenable à l'aide des touches Plus et Moins. Les réglages de température vont de 16 °C (61 °F) à 32 °C (89 °F).   

- 4) Appuyez sur la touche VENTILATEUR pour sélectionner la vitesse de ventilateur voulue (Élevée – Moyenne – Faible). Votre choix s'affichera sur le panneau de commande (chaque pression sur la touche du ventilateur change le réglage). 

Le refroidissement cesse automatiquement lorsque la température réglée est atteinte. Il reprend dès que la température ambiante dépasse la température réglée.

#### Important :

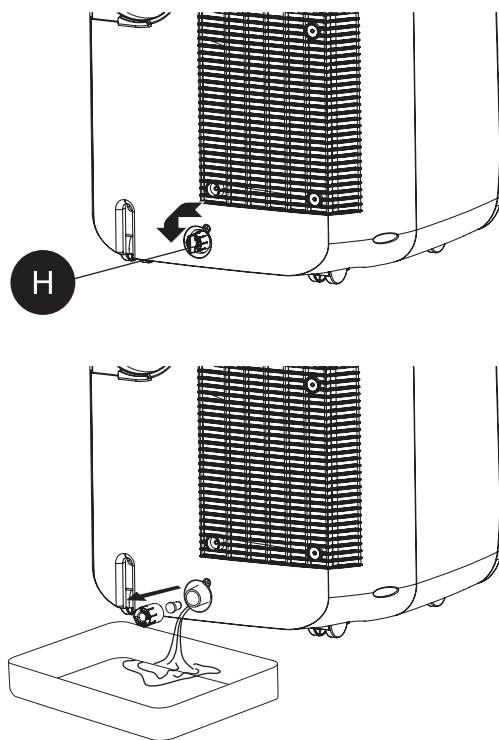
Ne dévissez jamais le capuchon de vidange de la sortie d'eau situé à l'arrière de l'appareil lorsque celui-ci est en mode climatisation.

N'utilisez pas la pompe du déshumidificateur en mode climatisation.

#### VIDANGE DE L'EXCÈS D'EAU

Si l'humidité ambiante est élevée, l'eau pourrait ne pas s'évaporer complètement. Il peut donc s'avérer nécessaire de vider l'excès d'eau du réservoir interne de l'appareil. Lorsque le réservoir d'eau situé à l'intérieur de l'appareil est plein, un indicateur s'allume. Pour vider l'excès d'eau, procédez comme suit :

1. Commencez par placer un récipient sous la sortie d'eau (H).
2. Dévissez le capuchon de vidange, puis retirez le bouchon en caoutchouc souple. Laissez l'eau s'écouler dans le récipient. Une fois que l'eau cesse de couler, remplacez le bouchon en caoutchouc, puis serrez le capuchon.
3. Videz le récipient dans un évier.
4. Faites fonctionner le climatiseur en mode Ventilation afin d'en sécher l'intérieur.



## MODE D'EMPLOI

### DÉSHUMIDIFICATION :

**IMPORTANT :** Lorsque vous réglez le climatiseur en mode Déshumidification, vous devez connecter le tuyau de vidange directe (S) et, si vous le souhaitez, vous pouvez installer le tuyau d'évacuation (M). Si vous installez ce dernier, vous pouvez réduire la température de la pièce en mode Déshumidification.

**Remarque :** Pour une déshumidification optimale, désinstallez le tuyau d'évacuation (M).

- 1) Appuyez sur la touche INTERRUPTEUR pour allumer le climatiseur.
- 2) Appuyez sur la touche MODE jusqu'à ce que le voyant de DÉSHUMIDIFICATION s'allume sur le panneau de commande. Chaque pression sur la touche MODE change le mode sélectionné (Climatisation – Déshumidification – Ventilation).

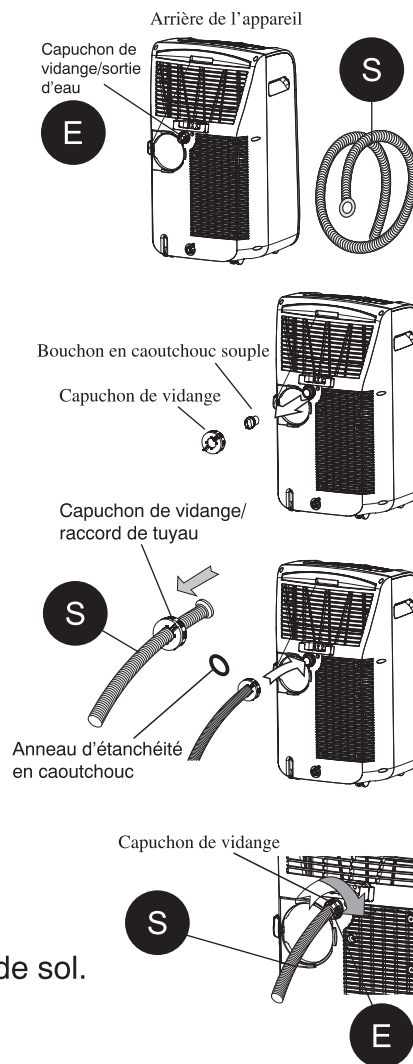


**IMPORTANT :** Il est impossible de régler la température ou le taux d'humidité en mode Déshumidification. Si la température ambiante est supérieure à 25 °C (77 °F), vous pouvez régler la vitesse du ventilateur. Sinon, la vitesse est réglée à FAIBLE. Le climatiseur continuera à déshumidifier la pièce jusqu'à ce que vous l'éteigniez.

### INSTALLATION DU TUYAU DE VIDANGE

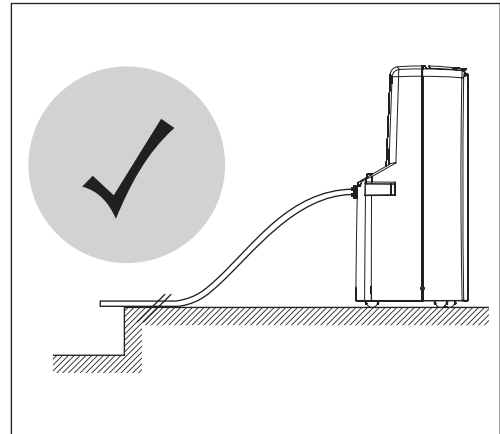
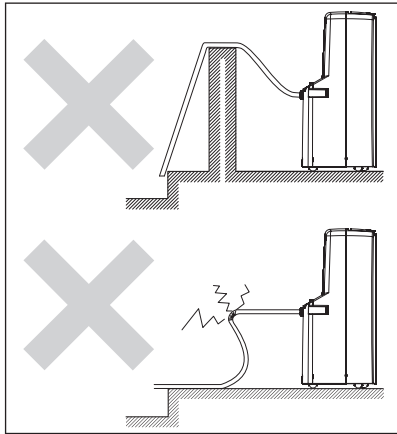
La fonction de vidange en continu peut être utilisée comme suit :

- 1) L'appareil peut être réglé pour effectuer sa vidange en continu. Vous pouvez utiliser le tuyau de vidange (S) fourni pour le fixer au raccord de vidange en continu. (E)
- 2) Dévissez le capuchon de vidange de la sortie d'eau (E) situé à l'arrière du climatiseur, puis retirez-le .
- 3) Enlevez le bouchon en caoutchouc souple du capuchon de vidange, puis conservez-le pour la prochaine utilisation, lorsque vous n'aurez pas besoin de vider le réservoir.
- 4) Insérez le tuyau de vidange (S) dans l'orifice du capuchon de vidange.
- 5) Assurez-vous que l'extrémité accueillant l'anneau d'étanchéité en caoutchouc est bien en place dans le capuchon de vidange/raccord.
- 6) Raccordez le tuyau de vidange (S) à la sortie d'eau (E).
- 7) Vissez le capuchon de vidange dans le sens des aiguilles d'une montre à l'arrière de l'appareil.
- 8) Placez l'autre extrémité du tuyau de vidange (S) dans un siphon de sol.






## MODE D'EMPLOI

Lorsque vous utilisez la fonction de vidange en continu, vous devez placer le tuyau de vidange à l'horizontale sous la sortie d'eau. Évitez de le déposer sur un sol inégal et de le plier. **REMARQUE :** Si vous endommagez ou perdez le tuyau de vidange, vous pouvez le remplacer par un boyau d'arrosage standard (non inclus).



### MODE VENTILATION : (Voyant à DEL vert.)

**Remarque :** En mode Ventilation, il n'est pas nécessaire que le tuyau d'évacuation amène l'air à l'extérieur.

- 1) Appuyez sur la touche INTERRUPTEUR pour allumer le climatiseur. 
- 2) Appuyez sur la touche MODE jusqu'à ce que le voyant de VENTILATION s'allume sur le panneau de commande. Chaque pression sur la touche MODE change le mode sélectionné (Climatisation – Déshumidification – Ventilation). 
- 3) Appuyez sur la touche VENTILATEUR pour sélectionner la VITESSE DE VENTILATEUR voulue. Votre choix s'affichera sur le panneau de commande. Chaque pression sur la touche VENTILATEUR change la vitesse sélectionnée (Élevée – Moyenne – Faible). 

## MODE D'EMPLOI

### MINUTERIE AUTOMATIQUE :

#### Lorsque le climatiseur est éteint ou en mode Veille (mise en marche automatique) :

- 1) Appuyez une fois sur la touche Minuterie. L'indicateur de minuterie adjacent s'allume.
- 2) Utilisez les touches + ou - pour sélectionner un délai de mise en marche pouvant aller jusqu'à 24 heures.
- 3) Sélectionnez le mode de fonctionnement voulu (Climatisation – Déshumidification – Ventilation).
- 4) Sélectionnez la vitesse du ventilateur.
- 5) Le délai choisi s'affiche sur l'afficheur à DEL.
- 6) Pour désactiver la minuterie, appuyez sur le bouton MINUTERIE et réglez le nombre à 00.

#### Lorsque le climatiseur est en marche (arrêt automatique) :

(En mode Climatisation, le climatiseur peut s'allumer et s'éteindre automatiquement en fonction du réglage de température. Cependant, vous pouvez utiliser la minuterie d'arrêt automatique pour l'éteindre à une heure donnée dans une période de 24 heures.)

- 1) Appuyez sur la touche Minuterie. L'indicateur de minuterie adjacent s'allume.
- 2) Utilisez les touches + ou - pour sélectionner un délai d'arrêt pouvant aller jusqu'à 24 heures.
- 3) Le réglage d'arrêt automatique sera automatiquement confirmé dans 5 secondes. La température ambiante s'affichera dans la zone d'affichage de la température du panneau de commande.
- 4) Pour désactiver la minuterie, appuyez sur le bouton MINUTERIE et réglez le nombre à 00.

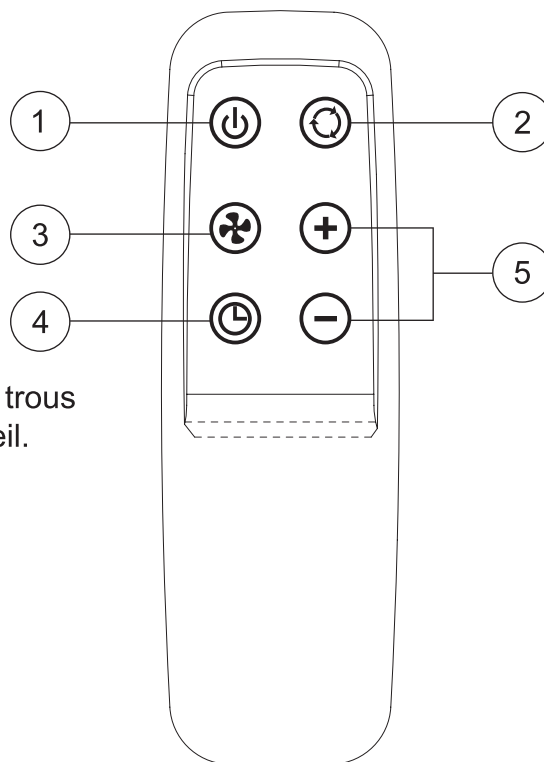
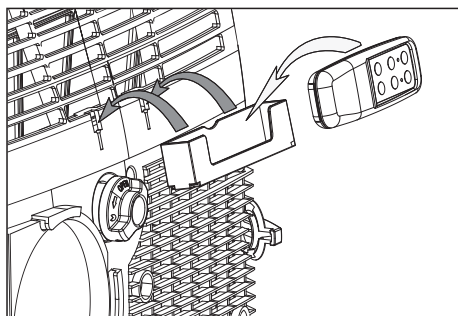
### TÉLÉCOMMANDE :

Touches de commande :

- 1) Alimentation
- 2) Mode
- 3) Vitesse du ventilateur
- 4) Minuterie
- 5) Réglage de la minuterie ou de la température

Installation du support pour la télécommande :

Alignez le support pour la télécommande (T) sur les trous situés à l'arrière de l'appareil, puis fixez-le à l'appareil.



## MODE D'EMPLOI

---

### TÉLÉCOMMANDE :

Pour programmer la minuterie (délai de 1 à 24 heures), appuyez d'abord sur la touche Minuterie, puis sur les touches de réglage de la minuterie ou de la température.

Si vous appuyez sur les touches « + » ou « - » en mode Climatisation, la température réglée s'affiche et peut être changée. Au bout de 10 secondes, l'écran revient à la température ambiante.

La télécommande fonctionne avec deux piles alcalines non rechargeables de type AAA (R) (incluses). Remplacez les piles dans les cas suivants :

a) Vous n'entendez aucun signal (bip) lorsque vous tentez de programmer le climatiseur au moyen de la télécommande.

b) Le climatiseur ne répond pas à une commande envoyée par la télécommande.

Remplacement de la pile :

1) Faites glisser délicatement le couvercle situé à l'arrière de la télécommande dans le sens de la flèche jusqu'à ce qu'il se détache complètement.

2) Insérez deux piles alcalines non rechargeables de type AAA (R) en respectant la polarité (+/-) indiquée à l'intérieur du compartiment à piles.

3) Remettez le couvercle en place.

4) Si vous prévoyez laisser la télécommande inutilisée pendant une longue période, retirez les piles.

Remarques :

1) Ne laissez pas tomber la télécommande.

2) Évitez que la télécommande soit directement exposée aux rayons du soleil.

3) Protégez la télécommande contre les hautes températures et éloignez-la des radiations.

4) Évitez que le récepteur du panneau soit directement exposé aux rayons du soleil.

5) Si vous prévoyez laisser la télécommande inutilisée pendant une longue période (par exemple, durant vos vacances), retirez les piles jusqu'à la prochaine utilisation.

6) Ne combinez pas des piles usagées et des piles neuves.

7) Ne combinez pas des piles alcalines, ordinaires (carbone-zinc) ou rechargeables (NiCd, NiMH, etc.).

## MODE D'EMPLOI

---

### Remarques :

- 8) N'essayez pas de recharger des piles non rechargeables.
- 9) Les piles usagées doivent être retirées de la télécommande et éliminées de façon appropriée. Les piles, rechargeables ou les piles datant d'avant 1997 ne peuvent être jetées et doivent être recyclées adéquatement. Appelez au 1-800-8BATTERY pour savoir où déposer vos piles près de chez vous.
- 10) Cet appareil numérique de classe B est conforme à la norme NMB-003.
- 11) La télécommande fonctionne dans un rayon de 7,92 m autour du récepteur installé dans le climatiseur. Tout obstacle entre le récepteur et la télécommande risque de provoquer l'interférence des signaux, ce qui nuit à la programmation du climatiseur.

Remarque : Cet appareil a été testé et déclaré conforme aux limites imposées aux appareils numériques de classe B, conformément à l'alinéa 15 du règlement de la FCC. Ces limites sont destinées à assurer une protection raisonnable contre les interférences nuisibles dans un environnement résidentiel. Cet appareil génère, utilise et peut émettre de l'énergie radiofréquence et, s'il n'est pas installé et utilisé conformément aux instructions, risque de provoquer des interférences nuisibles lors de la réception d'émissions de radio ou de télévision (il suffit, pour le vérifier, d'allumer et d'éteindre successivement l'appareil); s'il constate de telles interférences, l'utilisateur devra prendre les mesures nécessaires pour les éliminer. À cette fin, il devra :

- 1) réorienter ou déplacer l'antenne de réception;
- 2) augmenter la distance entre l'équipement et le récepteur;
- 3) brancher l'appareil sur une prise de courant appartenant à un autre circuit que celui du récepteur;
- 4) consultez le détaillant ou un technicien en radio ou en télévision expérimenté afin d'obtenir de l'aide.

Les modifications non autorisées expressément par la partie responsable de la conformité au règlement de la FCC peuvent annuler le droit de l'utilisateur de se servir de cet appareil. Cet appareil est conforme à l'alinéa 15 du règlement de la FCC.

Son utilisation est soumise aux deux conditions suivantes :

- 1) L'appareil ne doit pas provoquer d'interférences nuisibles.
- 2) L'appareil doit accepter toute interférence reçue, y compris des interférences susceptibles de causer un fonctionnement non désiré.



## ENTRETIEN

---

**ATTENTION** : Débranchez cet article de la prise de courant avant de le nettoyer ou de l'entretenir.

- 1) N'utilisez PAS d'essence, de benzène, de diluant ni tout autre produit chimique pour nettoyer le climatiseur, car ces substances peuvent endommager le fini et déformer les pièces en plastique.
- 2) Ne tentez JAMAIS de nettoyer le déshumidificateur en versant de l'eau directement sur l'une de ses surfaces, sinon vous risquez d'abîmer les composants électriques et les isolants des fils.
- 3) Débranchez toujours le climatiseur avant de procéder à son entretien.
- 4) Nettoyez le climatiseur en enlevant la poussière et la saleté à l'aide d'un linge doux et humide ou d'un aspirateur, puis essuyez-le avec un linge doux et sec.

**ATTENTION** : Rangez toujours l'appareil en position verticale. Ne placez PAS d'objets lourds sur l'appareil.

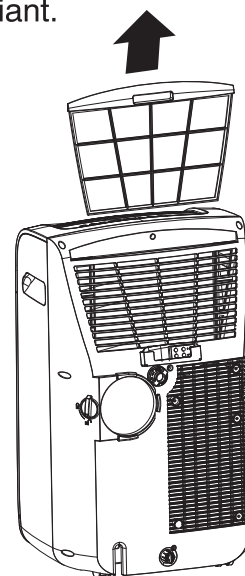
### NETTOYAGE DU FILTRE À AIR :

**ATTENTION** : Pour éviter d'endommager l'appareil, ne faites jamais fonctionner ce dernier lorsque le filtre à air n'est pas installé.

L'accumulation de poussière et de saleté sur le filtre à air nuit à la circulation de l'air, ce qui réduit la capacité de refroidissement. Le filtre doit être nettoyé toutes les deux (2) semaines. Un nettoyage plus fréquent peut se révéler nécessaire selon la qualité de l'air ambiant.

**REMARQUE** : Le filtre à air se trouve dans la partie supérieure du côté arrière de l'appareil.

- 1) Pour retirer le filtre à air : tirez le panneau protecteur vers le haut, dans le sens de la flèche, puis enlevez le filtre.
- 2) Vous pouvez enlever la poussière et la saleté qui encrassent le filtre en vous servant d'un aspirateur.
- 3) Vous pouvez aussi le faire tremper dans de l'eau tiède savonneuse tout en le frottant délicatement au moyen d'une brosse. Un détergent doux (par exemple, du savon à vaisselle) est recommandé.
- 4) Rincez bien le filtre avec de l'eau propre. Laissez-le sécher avant de le réinstaller dans l'appareil.
- 5) Remettez le filtre à air et le panneau protecteur en place.
- 6) Vous pouvez obtenir des renseignements sur un filtre à air de rechange en appelant le service à la clientèle au 1 855 900-1298 (États-Unis) / 1 800 919-6198 (Canada).



## DÉPANNAGE

PROBLÈME	CAUSE POSSIBLE	MESURE CORRECTIVE
Le climatiseur ne fonctionne pas.	<ol style="list-style-type: none"> <li>1. Il n'y a pas de courant.</li> <li>2. Le climatiseur n'est pas bien branché.</li> <li>3. Le réservoir d'eau est plein. Le signal d'avertissement d'ARRÊT s'allume.</li> <li>4. Il y a une fuite de courant ou vous avez appuyé sur le bouton Test de la fiche LCDI.</li> </ol>	<ol style="list-style-type: none"> <li>1. Attendez que le courant revienne.</li> <li>2. Branchez le climatiseur correctement.</li> <li>3. Videz le réservoir d'eau (consultez la page 9).</li> <li>4. Appuyez sur le bouton Reset après avoir réglé le problème.</li> </ol>
Le climatiseur s'arrête soudainement en cours de fonctionnement.	<ol style="list-style-type: none"> <li>1. La température réglée a été atteinte.</li> <li>2. Le délai d'arrêt est écoulé.</li> <li>3. Le réservoir d'eau est plein. Le signal d'avertissement d'ARRÊT s'allume.</li> </ol>	<ol style="list-style-type: none"> <li>1. L'appareil redémarrera lorsque la température s'élèvera.</li> <li>2. Réinitialisez la minuterie.</li> <li>3. Videz le réservoir d'eau (consultez la page 9).</li> </ol>
L'unité fonctionne par intermittence.	<ol style="list-style-type: none"> <li><b>1. La température ambiante est supérieure ou inférieure au réglage actuel.</b></li> <li>2. Le tuyau d'évacuation est bouché.</li> </ol>	<ol style="list-style-type: none"> <li><b>1. Cela est normal. Le climatiseur n'a pas besoin de fonctionner en continu dans un tel cas.</b></li> <li>2. Vérifiez et débouchez le tuyau.</li> </ol>
L'appareil fonctionne, mais la pièce ne refroidit pas.	<ol style="list-style-type: none"> <li>1. Une porte ou une fenêtre est ouverte dans la pièce.</li> <li>2. Il y a une source de chaleur ou trop de gens dans la pièce.</li> <li>3. La grille de l'entrée d'air est encrassée.</li> <li>4. Le filtre est trop sale.</li> <li>5. Le réglage de température est trop élevé.</li> </ol>	<ol style="list-style-type: none"> <li>1. Fermez toutes les portes et fenêtres.</li> <li>2. Retirez toutes les sources de chaleur de la pièce et déplacez l'appareil à proximité de l'endroit où vous vous trouvez. Ce climatiseur portatif produit un refroidissement localisé uniquement. Il doit être placé à proximité de l'endroit où vous vous trouvez pour offrir un résultat optimal.</li> <li>3. Nettoyez la grille de l'entrée d'air.</li> <li>4. Remplacez le filtre.</li> <li>5. Abaissez le réglage de température.</li> </ol>
L'eau condensée déborde lors du déplacement de l'unité.	<ol style="list-style-type: none"> <li>1. Le réservoir d'eau est presque plein.</li> </ol>	<ol style="list-style-type: none"> <li>1. Suivez les instructions de la page 9 pour vider le réservoir.</li> </ol>

## **GARANTIE**

---

### **GARANTIE LIMITÉE DE L'APPAREIL**

Ce produit de qualité est garanti contre les défauts de matériaux et de fabrication s'il est utilisé dans les conditions normales prévues par le fabricant. La présente garantie est offerte uniquement à la personne qui a acheté l'appareil auprès du fabricant ou de l'un de ses distributeurs autorisés. Elle est non transférable.

#### **MODALITÉS DE LA GARANTIE**

Les pièces en plastique sont garanties pendant trente (30) jours seulement à compter de la date d'achat. Cette période ne sera pas prolongée.

Douze PREMIERS mois :

Durant les douze (12) premiers mois, le fabricant choisira de réparer ou de remplacer toute pièce fonctionnelle du produit jugée défectueuse, sans frais pour l'acheteur INITIAL.

Pour effectuer une réclamation :

des États-Unis : composez le 1 855 900-1298.

du Canada : composez le 1 855 900-1298.

**ou RETOURNEZ L'APPAREIL AU DÉTAILLANT AFIN DE L'ÉCHANGER.**

#### **EXCLUSIONS**

Sauf disposition contraire des présentes, aucune autre condition, déclaration ou garantie expresse ou implicite n'est donnée ou prévue par le fabricant ou ses distributeurs autorisés, et toutes les autres conditions, déclarations et garanties, y compris celles qui s'appliquent en vertu d'une loi sur la vente d'objets ou d'une loi semblable, sont expressément exclues. Sauf disposition contraire des présentes, le fabricant ne peut être tenu responsable des dommages causés de quelque manière que ce soit à des personnes ou à des biens, y compris l'appareil lui-même, par la défaillance de l'appareil, ni de tout dommage consécutif, et en achetant le déshumidificateur, l'acheteur consent à exonérer le fabricant de toute responsabilité quant aux éventuelles réclamations pour des dommages causés par l'appareil à des personnes ou à des biens.

Étant donné que certains États ou certaines provinces ne permettent pas la limitation ou l'exclusion des dommages accessoires ou consécutifs ou la limitation des garanties implicites, les limitations et les exclusions mentionnées ci-dessus peuvent ne pas s'appliquer à vous. Cette garantie vous confère des droits précis. Il est possible que vous disposiez également d'autres droits, qui varient d'un État ou d'une province à l'autre.

#### **DISPOSITIONS GÉNÉRALES**

Aucune garantie ni assurance contenue ou énoncée aux présentes ne s'applique si des dommages ou des réparations sont attribuables à l'une des causes suivantes :

- 1) Une panne de courant.
- 2) Des dommages survenus durant le transport ou le déplacement de l'appareil.
- 3) Une alimentation électrique inadéquate, notamment une basse tension, un câblage défectueux ou des fusibles inappropriés.
- 4) Un accident, une modification ou encore un usage abusif ou inapproprié de l'appareil, par exemple une mauvaise circulation d'air dans la pièce ou des conditions de fonctionnement anormales (température ambiante extrêmement élevée ou basse).
- 5) L'utilisation de l'appareil à des fins commerciales ou industrielles (c'est-à-dire si l'appareil n'est pas installé dans une résidence).
- 6) Un incendie, des dégâts d'eau, un vol, une guerre, une émeute, des hostilités ou un cas de force majeure tel qu'un ouragan ou une inondation.
- 7) La visite d'un réparateur ayant pour résultat d'informer le client.
- 8) Installation inadéquate (c'est-à-dire le fait d'encaster un appareil sur pied ou d'utiliser à l'extérieur un appareil conçu pour l'intérieur).

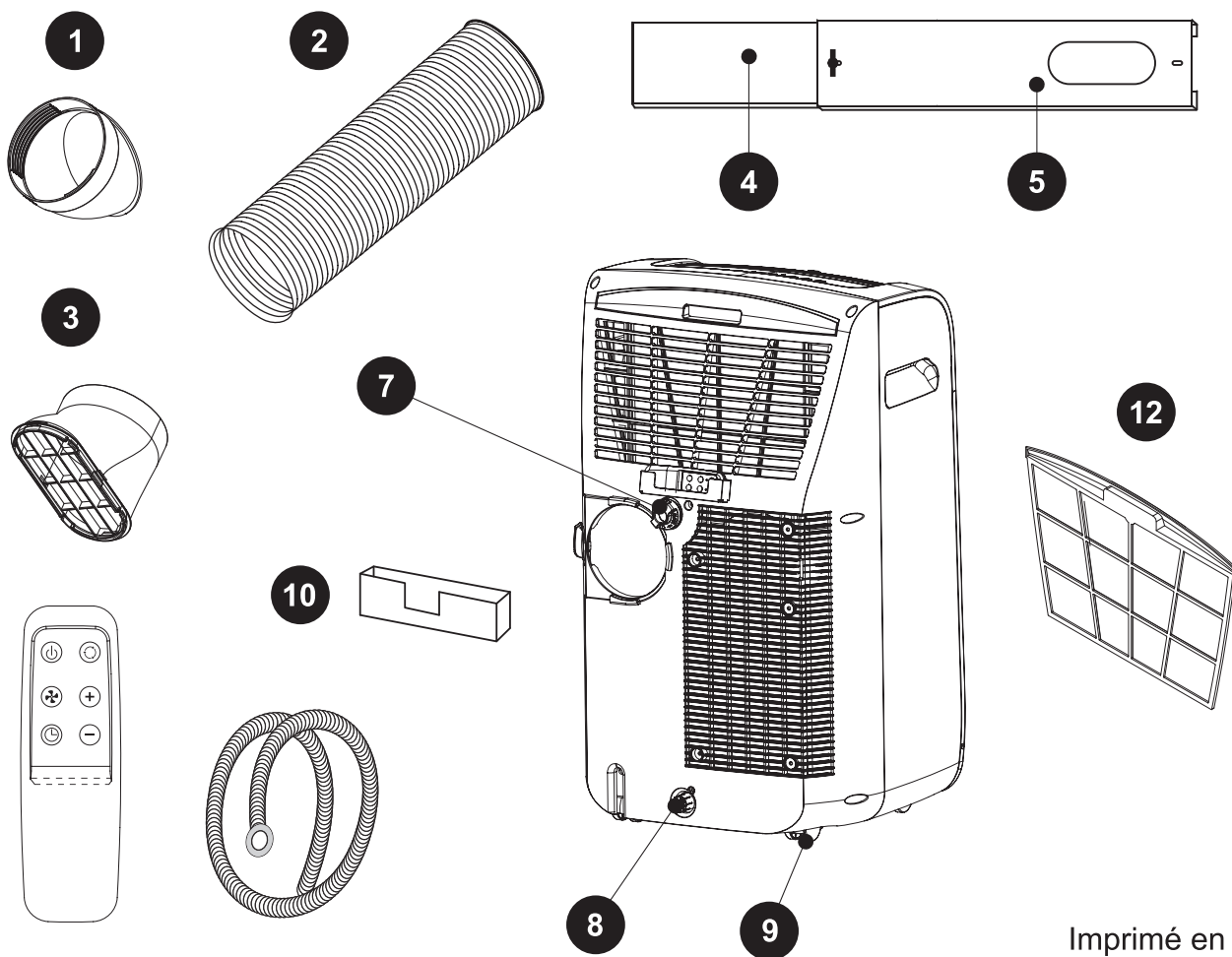
Une preuve d'achat doit être présentée avec toute réclamation au titre de la garantie. Veuillez donc conserver le contrat de vente.



## LISTE DES PIÈCES DE RECHANGE

Pour obtenir des pièces de rechange, communiquez avec notre service à la clientèle au 1 855 900-1298 (États-Unis) / **1 855 900-1298** (Canada), entre 8 h et 18 h (HNE), du lundi au jeudi, ou entre 8 h et 17 h (HNE) le vendredi.

PIÈCE	DESCRIPTION	No DE PIÈCE
1	Raccord de la buse d'évacuation	A5815-320-H-D2
2	Tuyau d'évacuation flexible	A6200-070-D2
3	Buse du panneau de fenêtre	A4267-010-D2
4	Rallonge du panneau de fenêtre	A5700-663-V-D2
5	Panneau de fenêtre	A5700-642-V-D2
6	Télécommande	A2529-090-AA14
7	Capuchon de vidange (vidange directe du déshumidificateur) + bouchon de vidange	A7305-020-A-D2
8	Capuchon de vidange inférieur	A7305-030-A-22
9	Roulette	A7402-020
10	Support pour la télécommande	A5825-620-A-D2
11	Tuyau de vidange directe	D7216-020
12	Filtre à air	A7331-010



Imprimé en Chine

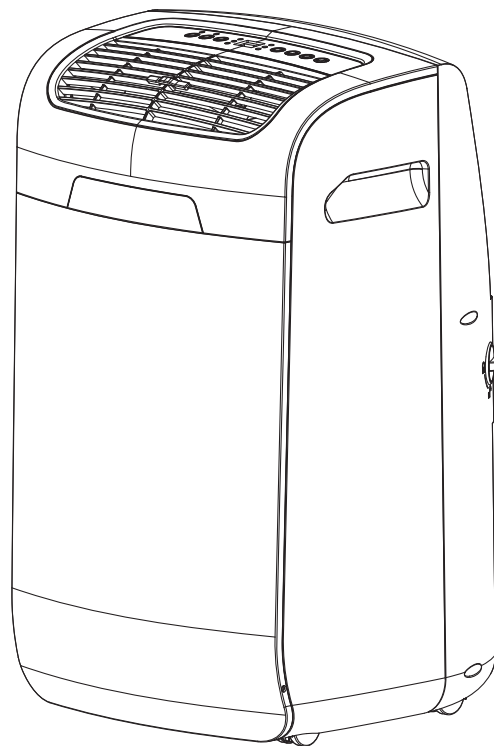
**AeonAir**®



ARTÍCULO #0625616

# AIRE ACONDICIONADO PORTÁTIL

MODELO # RPAC12EA



ADJUNTE SU RECIBO AQUÍ

Número de serie \_\_\_\_\_ Fecha de compra \_\_\_\_\_

U.S. Pat. No. 9057529B2



**¿Preguntas, problemas, piezas faltantes?** Antes de volver a la tienda, llame a nuestro Departamento de Servicio al Cliente al 1-855-900-1298 (EE. UU.) / **1-855-900-1298** (CANADÁ) de lunes a jueves, de 8 a.m. a 6 p.m., hora estándar del Este, y los viernes de 8 a.m. a 5 p.m., hora estándar del este.

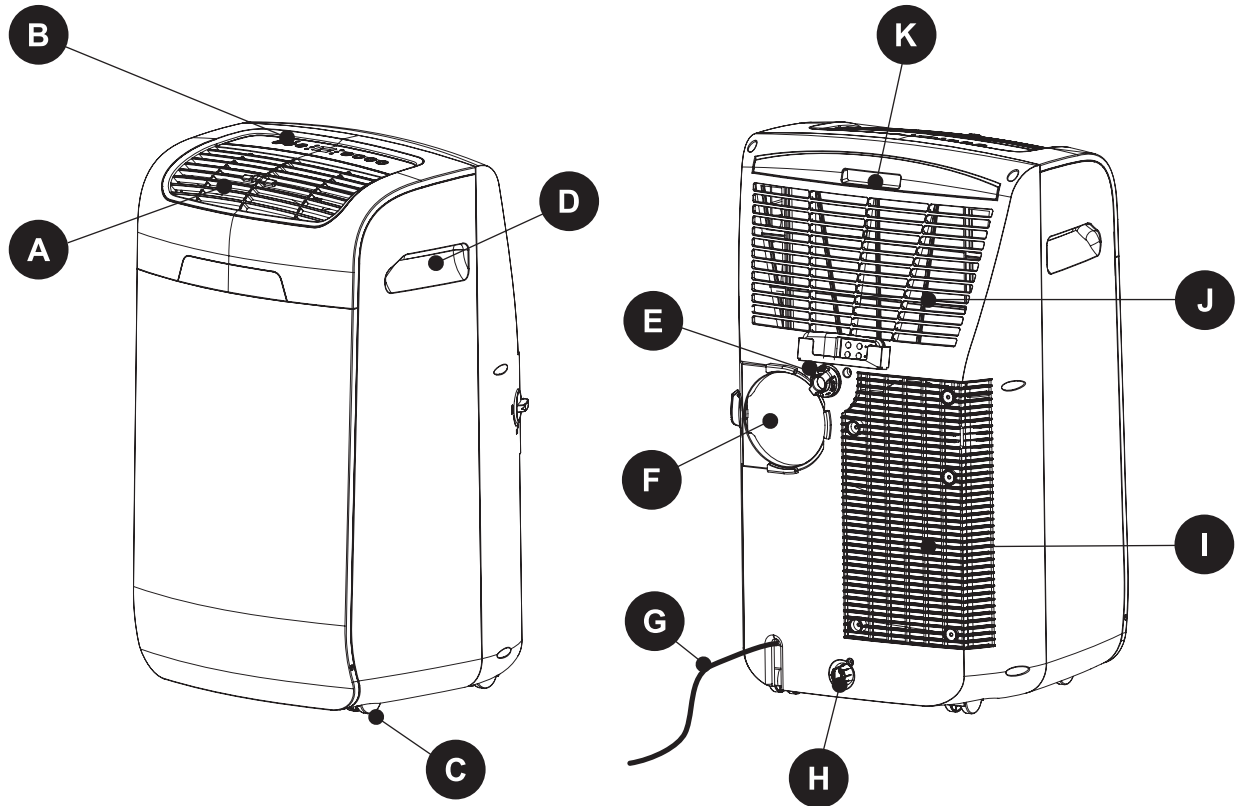


## ÍNDICE

---

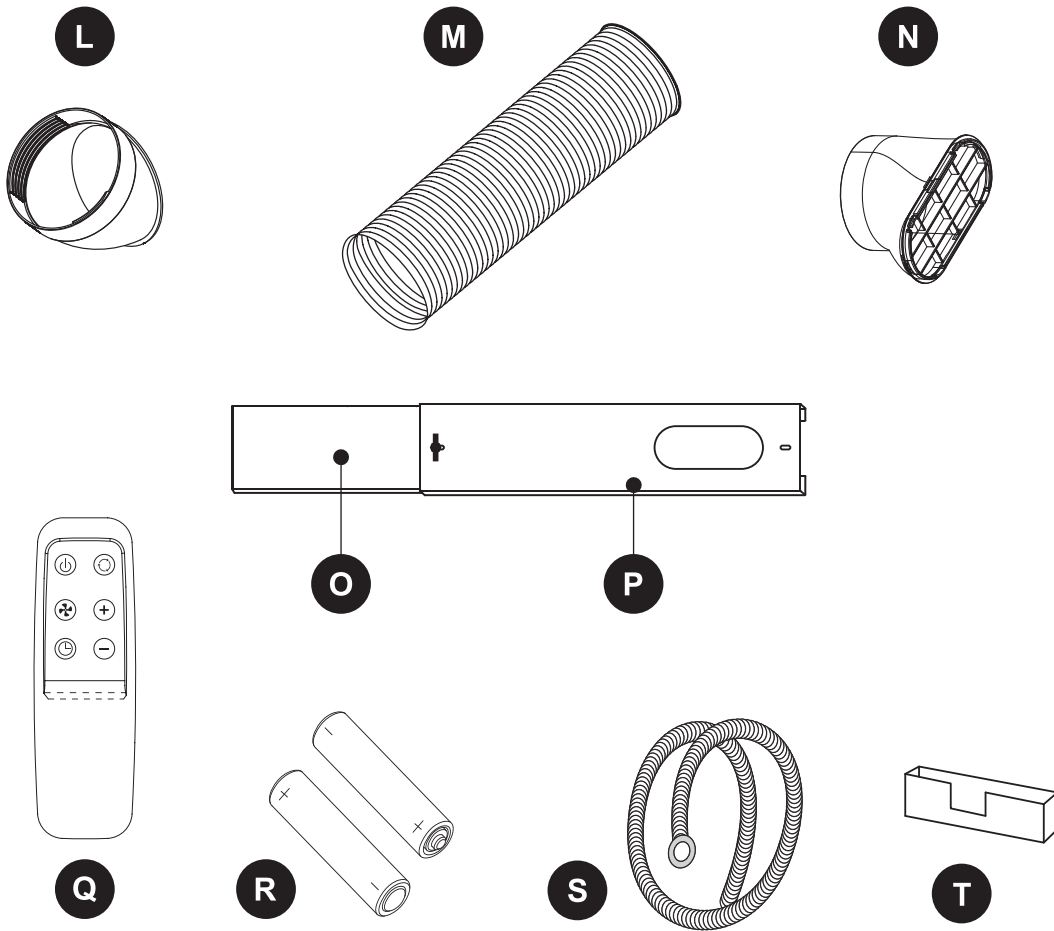
Contenido del paquete.....	39
Información de seguridad.....	41
Preparación.....	41
Instrucciones de ensamblaje.....	42
Instrucciones de funcionamiento .....	44
Cuidado y mantenimiento.....	51
Solución de problemas.....	52
Garantía.....	53
Lista de piezas de repuesto.....	54

## CONTENIDO DEL PAQUETE



PIEZA	DESCRIPCIÓN	CANTIDAD
A	Salida de aire	1
B	Panel de control	1
C	Rueda	4
D	Manija	2
E	Desagüe de salida de agua	1
F	Salida de aire	1
G	Cable de suministro de electricidad	1
H	Desagüe de salida de agua	1
I	Entrada de aire (condensador)	1
J	Entrada de aire (evaporador)	1
K	Filtro de aire	1

## CONTENIDO DEL PAQUETE



PIEZA	DESCRIPCIÓN	CANTIDAD
L	Conector para boquillas de escape (a F)	1
M	Manguera de escape flexible	1
N	Boquilla para el panel de la ventana	1
O	Extensión para panel de ventana	1
P	Panel para ventana	1
Q	Control remoto	1
R	Baterías AAA	2
S	Manguera de desagüe	1
T	Soporte del control remoto	1



## INFORMACIÓN DE SEGURIDAD

---

Lea y comprenda completamente este manual antes de intentar ensamblar, usar o instalar el producto.

Los aires acondicionados portátiles consumen grandes cantidades del aire de las habitaciones. Siempre asegúrese de tener un suministro suficiente de aire para ensamblar que funcione de manera eficiente.

- Revise el suministro de electricidad y resuelva cualquier problema de cableado ANTES de la instalación y operación de esta unidad. Todo el cableado debe cumplir con los códigos nacionales y locales de electricidad y debe ser instalado por un electricista calificado. Si tiene preguntas relacionadas con las siguientes instrucciones, póngase en contacto con un electricista calificado.
- Este electrodoméstico consume 9,0 A de la placa de datos y puede utilizarse en cualquier tomacorriente doméstico con puesta a tierra de 15 A para uso general conectado adecuadamente.
- Por su seguridad y protección, esta unidad está conectada a tierra a través del enchufe del cable eléctrico en un tomacorriente compatible. Si no está seguro de si los tomacorrientes de pared en su hogar están conectados adecuadamente a tierra, consulte a un electricista calificado.

### PELIGRO

- No deje esta unidad sin supervisión en un espacio donde se encuentran personas o animales que no pueden reaccionar a una unidad con fallas. Una unidad con fallas puede provocar sobrecalentamiento extremo o la muerte en un espacio cerrado y sin supervisión.

### ADVERTENCIA

- La conexión inadecuada del enchufe con puesta a tierra puede causar riesgo de incendio, descarga eléctrica o lesión a personas asociadas al electrodoméstico. Consulte a un representante de servicio calificado si tiene dudas sobre si el producto tiene una puesta a tierra adecuada.
- NO UTILICE ADAPTADORES NI EXTENSIONES ELÉCTRICAS CON ESTA UNIDAD. Si es necesario utilizar una extensión eléctrica con esta unidad, utilice solamente una extensión eléctrica de "aire acondicionado" aprobada.
- Para evitar la posibilidad de lesiones personales, siempre desconecte el suministro de electricidad de la unidad antes de instalarla o realizar el mantenimiento.
- La unidad se debe colocar en posición vertical por lo menos 1 hora antes de su uso.

### CABLE DE SUMINISTRO DE ELECTRICIDAD

El cable eléctrico provisto con este aire acondicionado contiene un dispositivo que detecta el daño al cable eléctrico. Para comprobar que el cable eléctrico funciona correctamente, debe hacer lo siguiente:

- Conecte el cable de suministro de electricidad a un tomacorriente.
- El cable de suministro de electricidad tiene dos botones que se encuentran en el cabezal del enchufe. Un botón está marcado "TEST" (PRUEBA) y el otro, "RESET" (RESTABLECER). Presione el botón "TEST", luego el botón "RESET" saltará y escuchará un clic.
- Presione el botón "RESET" y escuchará un clic que indica que el botón se engancha.
- Ahora el cable de suministro de electricidad está energizado y suministra electricidad al aire acondicionado (en algunos productos también se indica mediante una luz en el cabezal del enchufe).
- **Nota:** El cable eléctrico provisto con este aire acondicionado contiene un dispositivo de detección de fugas corriente, diseñado para reducir el riesgo de incendio. En el caso de que el cable del suministro de electricidad se dañe, no puede repararse y debe reemplazarse con un cable nuevo del fabricante del producto.
- En ninguna circunstancia, este dispositivo debe utilizarse para encender o apagar la unidad.
- El botón "RESET" siempre debe estar presionado (enganchado) para un correcto funcionamiento.
- El cable de suministro de electricidad debe reemplazarse si no se restablece cuando se presiona el botón "TEST".

### PREPARACIÓN

---

Antes de comenzar a ensamblar el producto, asegúrese de tener todas las piezas. Compare las piezas con la lista del contenido del paquete. No intente ensamblar el producto si falta una pieza o si alguna está dañada.

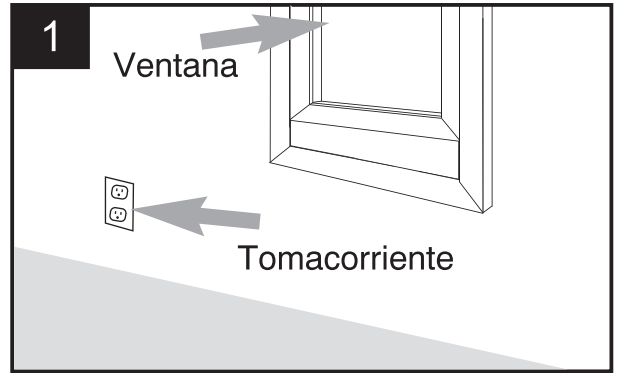
**Tiempo estimado de ensamblaje:** 20 minutosv

## INSTRUCCIONES DE ENSAMBLAJE

1. Seleccione una ubicación adecuada para la unidad y asegúrese de tener acceso a un tomacorriente.

**⚠ Importante :**

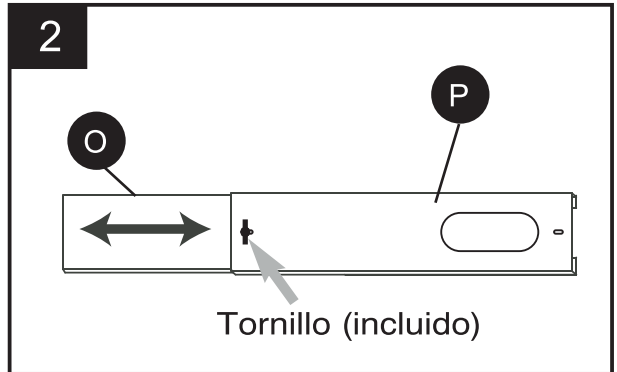
No apto para usarse con una ventana giratoria.



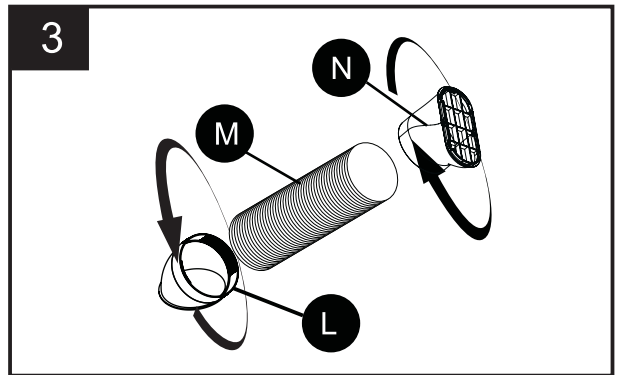
2. Inserte la extensión de panel de ventana (O) en el panel de ventana (P). Apriete suavemente los tornillos preensamblados en el panel de ventana (P) para mantener la extensión (O) en su lugar.

**⚠ Importante :**

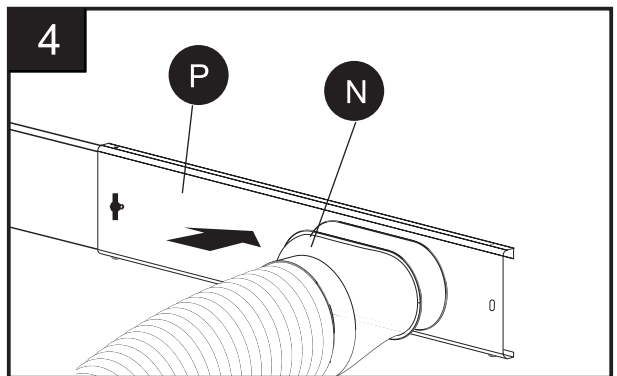
El panel de la ventana está diseñado para ajustarse solo a ventanas de entre 28,3 pulg y 55,1 pulg. En ocasiones, puede que sea necesario cortar la extensión del panel de la ventana (O) según el ancho de la ventana.



3. Retire una pequeña sección de ambos extremos de la manguera de escape (M) y fije el conector para boquilla de escape (L) y la boquilla para el panel de la ventana (N) a la manguera de escape (M).

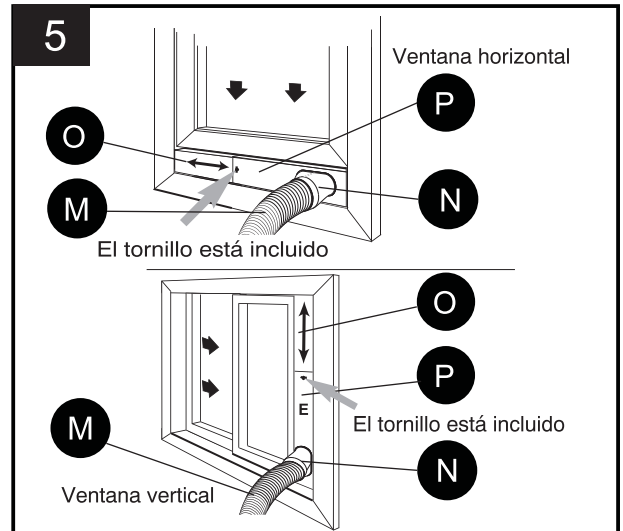


4. Fije la boquilla para el panel de la ventana (N) en el panel de la ventana (P).

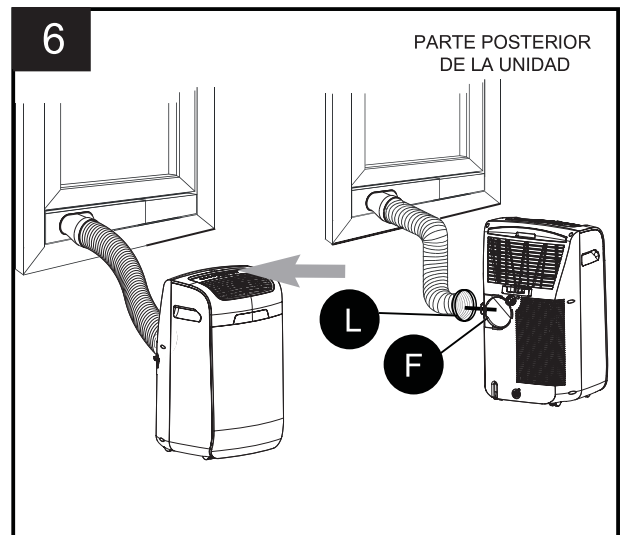


## INSTRUCCIONES DE ENSAMBLAJE

5. Instale el panel de ventana (P); para ello, expándalo hasta que se ajuste a la longitud de la ventana y apriete por completo los tornillos preensamblados que se encuentran en el medio.



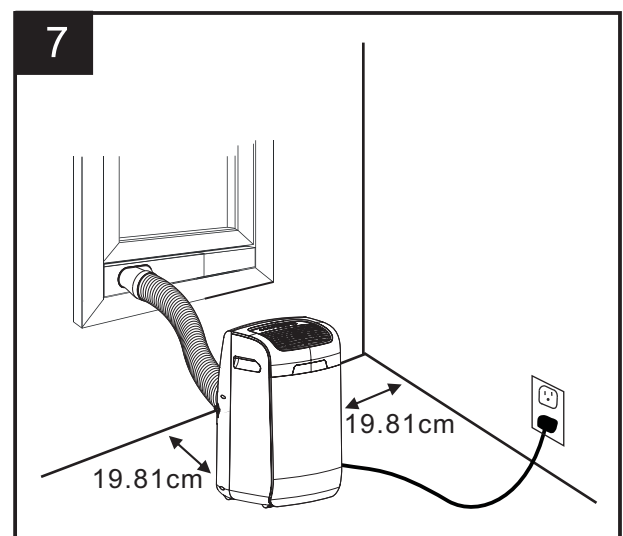
6. Instale el conector para boquilla de escape (L) en la salida de aire (F) de la parte posterior de la unidad.



7. Enchufe la unidad en un tomacorriente con puesta a tierra de 115 V/60 Hz.

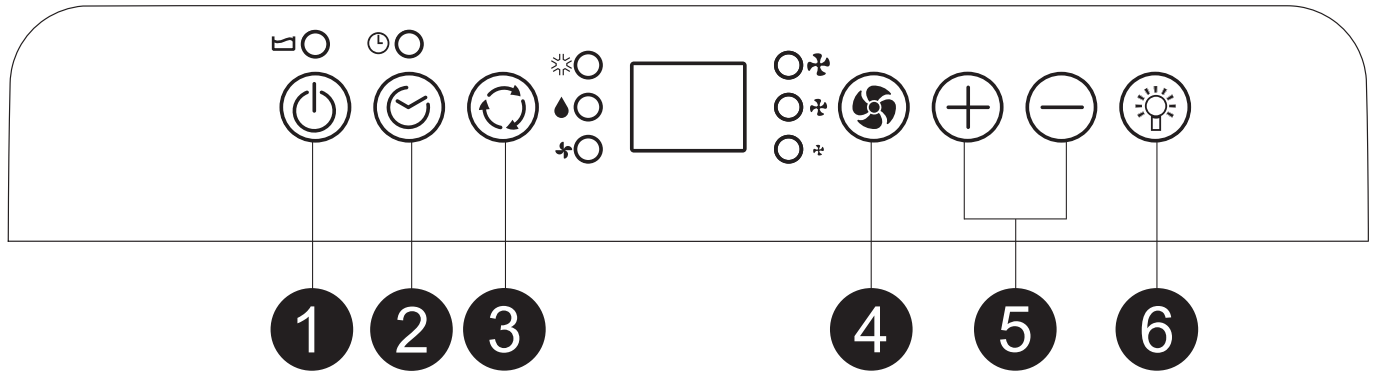
**!** **Importante :**

Coloque la unidad a por lo menos 19,81 cm de distancia de la pared.



## INSTRUCCIONES DE FUNCIONAMIENTO

Características del panel de control:



Pantalla LED Nota: La pantalla predeterminada muestra la temperatura ambiente.

Modo Enfriamiento

Velocidad alta del ventilador

Luz de cubeta llena (la máquina dejará de funcionar)

Modo Deshumidificador

Velocidad media del ventilador

Muestra el ajuste de encendido/apagado del temporizador automático

Modo Solo ventilador

Velocidad baja del ventilador

Funciones de panel de control

1. Interruptor de encendido: enciende o apaga la unidad.

2. Temporizador automático

3. Modo: le permite deslizarse por los modos de operación deseados.

4. Ventilador: Seleccione entre tres ajustes de ventilador diferentes: alto, medio y bajo.

5. Botones hacia arriba/abajo: Al presionar los botones + y - al mismo tiempo durante más de 3 segundos, la pantalla cambiará entre grados Celsius y Fahrenheit. Presione + y - para cambiar la temperatura.

6. Puede encender y apagar las luces del panel frontal y superior mediante el **interruptor de encendido/apagado de la LÁMPARA**.

Luz de cubeta llena : puede acumularse agua condensada en la unidad. Si se llena el tanque interno, se encenderá la señal de advertencia en la pantalla LED y la unidad no operará hasta que se haya drenado.

Nota: Después de apagar la unidad, debe esperar 3 minutos antes de volver a encenderla.

La temperatura actual del modo de enfriamiento es de 24°C (75°F).






### REINICIAR AUTOMÁTICAMENTE

Cuando ocurre un corte de electricidad, el aire acondicionado se reinicia al modo de funcionamiento y al ajuste de temperatura establecidos previamente cuando vuelve la electricidad (No incluye la configuración del TEMPORIZADOR).

## INSTRUCCIONES DE FUNCIONAMIENTO

### AIRE ACONDICIONADO

**Nota:** Durante el modo de aire acondicionado, la manguera de escape debe ventilarse en exteriores adecuadamente.

- 1) Presione el botón del INTERRUPTOR DE ENCENDIDO para encender la unidad, y la temperatura ambiente se mostrará en el área de visualización de la temperatura del panel de control. 
- 2) Presione el botón de MODO hasta que la luz indicadora de ENFRIAMIENTO se ilumine en el panel de control. Vuelva a presionar el botón de MODO para avanzar a un ajuste de modo diferente (Enfriamiento, Deshumidificador, Ventilador). 
- 3) Presione los botones de aumento + o de disminución - correspondientes para seleccionar un ajuste de temperatura adecuado. Los ajustes de temperatura son regulables entre 16 °C (61 °F) y 32 °C (89 °F).   

- 4) Presione el botón VENTILADOR para seleccionar el ajuste de velocidad del ventilador deseado (Alto-Medio-Bajo). Su selección aparecerá en el panel de control (cada vez que presione el botón del ventilador avanzará a un ajuste diferente). 

El enfriamiento se detiene automáticamente cuando se alcanza la temperatura establecida. El enfriamiento se reanuda cuando la temperatura ambiente es superior al nivel de temperatura “establecida”.

### **Importante :**

Nunca desatornille y retire la cubierta del desagüe del puerto de desagüe en la parte posterior de la unidad mientras la unidad está en modo de aire acondicionado.

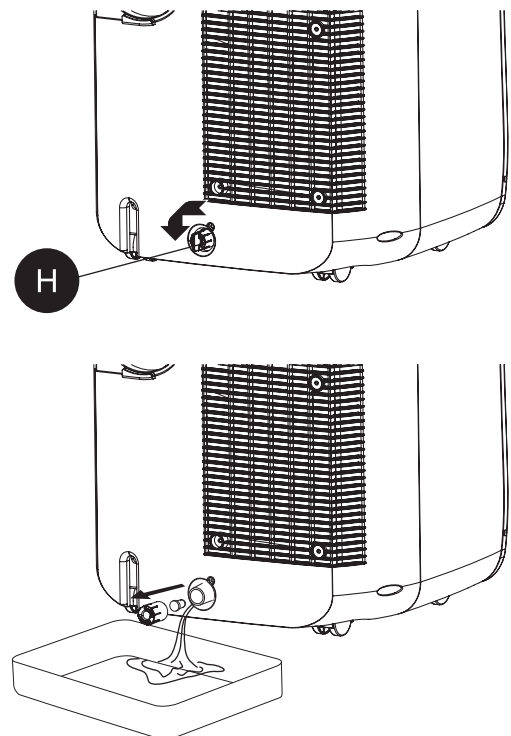
No use la bomba de desagüe de deshumidificador en modo de aire acondicionado.

### DESAGÜE DEL EXCESO DE AGUA

Cuando la humedad circundante es alta, es posible que el agua no se evapore completamente. Por lo tanto, será necesario drenar el exceso de agua del tanque interno de la unidad.

Si el tanque de agua en la unidad se llena, se encenderá la luz indicadora de “tanque lleno”. Para drenar el exceso de agua:

1. Comience por colocar un recipiente debajo del desagüe de salida de agua (H).
2. Desatornille la cubierta del desagüe y retire el tope de goma suave. Deje que el agua se drene al recipiente. Cuando el agua deje de drenar, vuelva a colocar el tope de goma suave y apriete la cubierta del desagüe.
3. Retire el recipiente con agua y vacíelo en un fregadero.
4. Opere la unidad en el modo Ventilador para secar el interior de la unidad.



## INSTRUCCIONES DE FUNCIONAMIENTO

### DESHUMIDIFICADOR:

**IMPORTANTE:** Cuando configura el aire acondicionado en el modo Deshumidificador, debe conectar la manguera de desagüe directo (S), y tiene la opción de instalar o no la manguera de escape (M). Si instala la manguera de escape (M) en el modo Deshumidificador, la temperatura ambiente puede descender.

**Nota:** Para obtener mejores resultados, debe desarmar la manguera de escape.

- 1) Presione el botón de ENCENDIDO/APAGADO en el panel de control para encender la unidad.
- 2) Presione el botón de MODO hasta que se ilumine el indicador de DESHUMIDIFICADOR en el panel de control. Cada vez que presione el botón de MODO, avanzará a un ajuste de modo diferente (Enfriamiento, Deshumidificador, Ventilador).

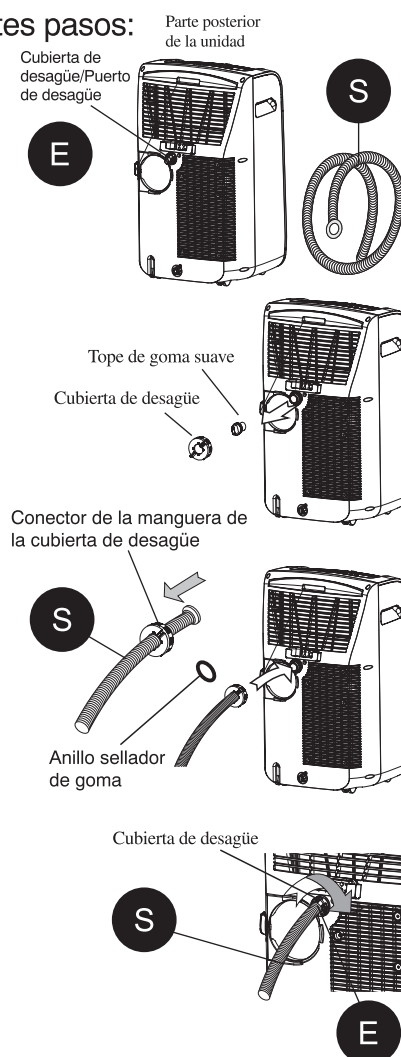


**IMPORTANTE:** No hay ajuste de temperatura ni de humedad durante el modo de deshumidificador. Si la temperatura ambiente es superior a 77 °F (25 °C). Se puede ajustar la temperatura del ventilador. De lo contrario la velocidad del ventilador queda fija en velocidad BAJA. El aparato seguirá deshumidificando hasta que decida apagarlo.

### INSTALACIÓN DE LA MANGUERA DE DESAGÜE

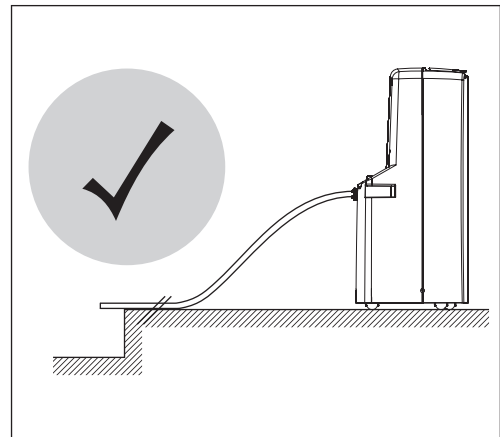
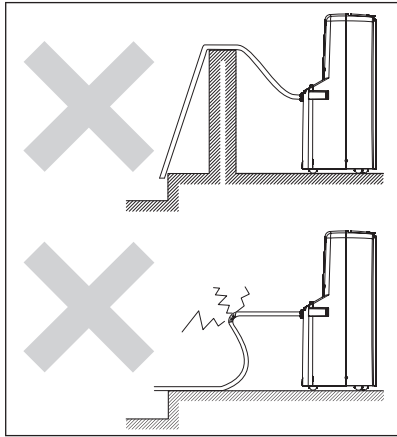
La función de desagüe continuo se puede ajustar mediante los siguientes pasos:

- 1) Esta unidad se puede configurar para desagüe continuo. Puede utilizar la manguera de desagüe (S) proporcionada para conectarla al conector de desagüe continuo. (E)
- 2) Desatornille y retire la cubierta del desagüe del puerto de desagüe en la parte posterior de la unidad. (E)
- 3) Retire el tope de goma suave de la cubierta del desagüe y guárdelo para volver a usarlo cuando no requiera drenar.
- 4) Inserte la manguera de desagüe (S) a través del orificio de la cubierta de desagüe.
- 5) Asegúrese de que el extremo del anillo sellador de goma esté colocado correctamente en el extremo del conector de la manguera de la cubierta de desagüe.
- 6) Conecte la manguera de desagüe (S) al puerto de desagüe (E).
- 7) Apriete la cubierta del desagüe girándola en dirección de las manecillas del reloj en la parte posterior de la unidad.
- 8) Coloque el extremo opuesto de la manguera de desagüe (S) en un desagüe de suelo.






## INSTRUCCIONES DE FUNCIONAMIENTO

Al utilizar la función de desagüe continuo, la manguera de desagüe debe colocarse horizontalmente debajo del orificio de desagüe. Evite los suelos disparejos y doblar la manguera. NOTA: En caso de dañar o perder la manguera de desagüe, se puede utilizar como reemplazo una manguera para jardín (no está incluida).



### MODO VENTILADOR: (Luz indicadora con bombilla LED verde)

**Nota:** Durante el modo Ventilador, la manguera de escape no debe ventilarse en exteriores.

- 1) Presione el botón de INTERRUPTOR DE ENCENDIDO para encender la unidad. 
- 2) Presione el botón de MODO hasta que el indicador de VENTILADOR se ilumine en el panel de control. Cada vez que presione el botón de MODO, avanzará a un ajuste de modo diferente (Enfriamiento, Deshumidificador, Ventilador). 
- 3) Presione el botón VENTILADOR para seleccionar el ajuste de VELOCIDAD DEL VENTILADOR deseado. Su selección aparecerá en el panel de control. Cada vez que presione el botón del ventilador, avanzará a una velocidad del ventilador diferente (Alta-Media-Baja). 

## INSTRUCCIONES DE FUNCIONAMIENTO

### TEMPORIZADOR AUTOMÁTICO:

**Cuando el aire acondicionado está apagado o en modo de espera (automático encendido):**

- 1) Presione el botón de temporizador una vez y se iluminará la pantalla del temporizador automático adyacente.
- 2) Utilice las botones + o - para seleccionar un retraso del tiempo de encendido de hasta 24 horas.
- 3) Seleccione el modo adecuado en el que desea que la unidad funcione (Enfriamiento, Deshumidificador o Ventilador).
- 4) Seleccione el ajuste de velocidad del ventilador.
- 5) El tiempo que haya seleccionado aparecerá en la pantalla LED.
- 6) Para cancelar la función del temporizador, presione el botón del TEMPORIZADOR y ajuste el número a 00.

### Cuando el aire acondicionado está encendido (automático apagado):

(Durante el modo de enfriamiento, su aparato puede encenderse y apagarse de manera automática, según la temperatura establecida. Sin embargo, si necesita que su aparato se apague a una hora determinada durante la configuración de 24 horas, puede utilizar el temporizador de apagado automático).

- 1) Presione el botón de temporizador y se iluminará la pantalla del temporizador automático adyacente.
- 2) Utilice los botones + o - para seleccionar un retraso del tiempo de apagado de hasta 24 horas.
- 3) La configuración de autoapagado se confirmará automáticamente en 5 segundos y la temperatura ambiente se mostrará en el área de visualización de la temperatura del panel de control.
- 4) Para cancelar la función del temporizador, presione el botón del TEMPORIZADOR y ajuste el número a 00.

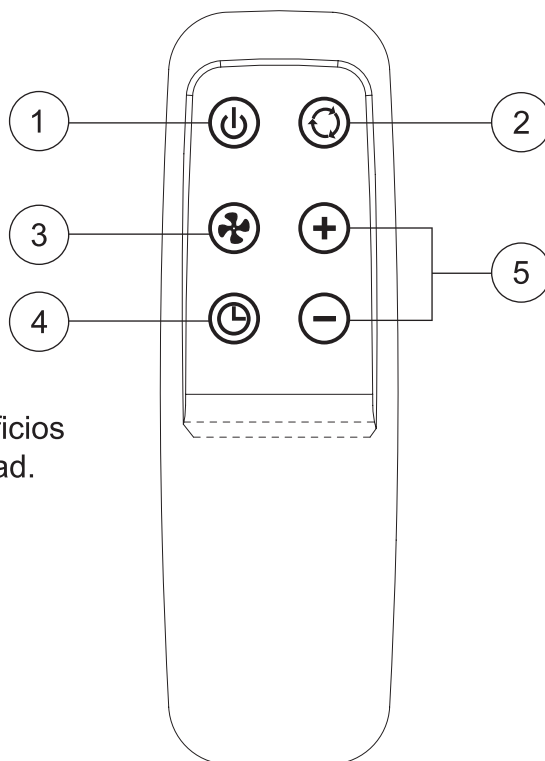
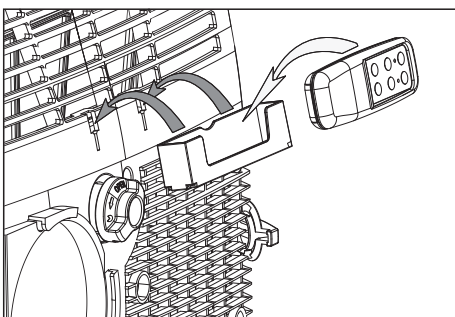
### CONTROL REMOTO:

Botones de control:

- 1) Encendido/apagado
- 2) Modo
- 3) Velocidad del ventilador
- 4) Temporizador de encendido y apagado
- 5) Ajustes de tiempo/temperatura

Instalación del soporte del control remoto:

Alinee el soporte del control remoto (T) con los orificios en la parte posterior de la unidad, y fíjelo a la unidad.





## **INSTRUCCIONES DE FUNCIONAMIENTO**

---

### **CONTROL REMOTO:**

El ajuste del temporizador es programable de 1 a 24 horas: primero se presiona el botón de encendido/apagado del temporizador y luego los botones de ajuste de tiempo/temperatura.

Cuando se presiona cualquiera de los botones + o - en el modo de enfriamiento, la temperatura establecida se visualiza y se puede ajustar. Después de 10 segundos, la pantalla volverá a mostrar la temperatura ambiente.

Para operar el control remoto, se requieren dos baterías alcalinas AAA no recargables (R) (incluidas). Debe reemplazar las baterías cuando:

- a) No se oye la señal (pitido) cuando se intenta programar la unidad principal usando el control remoto.
- b) La unidad principal no responde a una orden emitida por el control remoto.

Reemplazo de la batería:

- 1) Deslice suavemente la tapa posterior del control remoto en la dirección de la flecha hasta que se separe por completo de la unidad.
- 2) Inserte dos baterías alcalinas AAA no recargables (R) con la misma orientación (polaridad) representada en el interior del compartimento de las baterías (+/-).
- 3) Vuelva a colocar la tapa posterior.
- 4) Si el control remoto no se utiliza durante períodos prolongados, las baterías deben quitarse.

Notas:

- 1) No deje caer el control remoto.
- 2) No coloque el control remoto bajo la luz directa del sol o en un lugar expuesto a la luz solar.
- 3) Proteja el control remoto de las altas temperaturas, y manténgalo alejado de la exposición a la radiación.
- 4) Mantenga el receptor del control remoto en un área alejada de la luz directa del sol.
- 5) Si el control remoto no se utiliza durante períodos prolongados (vacaciones, etc.), las baterías deben quitarse hasta que se vuelvan a utilizar.
- 6) No mezcle baterías antiguas con baterías nuevas.
- 7) No mezcle baterías alcalinas con baterías estándar (zinc-carbono) o recargables (níquel-cadmio, níquel-hidruro metálico, etc.).

## INSTRUCCIONES DE FUNCIONAMIENTO

---

### Notas:

- 8) No intente recargar baterías que no son recargables.
- 9) Las baterías agotadas se deben retirar del producto y desechar adecuadamente. Las baterías recargables y las baterías fabricadas antes de 1997 no se pueden desechar y se deben reciclar de manera adecuada. Llame al 1-800-8BATTERY para encontrar un lugar de depósito de baterías cerca suyo.
- 10) Este instrumento digital clase B cumple con el ICES-003.
- 11) El control remoto funciona en un rango de 7,92 m desde el receptor situado en el interior de la unidad principal. Cualquier obstrucción entre el receptor y el control remoto puede causar interferencia de la señal, lo que limita la capacidad de programar la unidad principal.

Nota: Este equipo ha sido probado y se ha verificado que cumple los límites para un dispositivo digital clase B, conforme a la sección 15 de las reglas de la FCC. Estos límites se han diseñado para proporcionar una protección razonable contra la interferencia perjudicial en una instalación residencial. Este equipo genera, usa y puede irradiar energía de radiofrecuencia y, si no se instala y usa de acuerdo con las instrucciones, puede causar interferencia perjudicial a la recepción de radio o televisión, lo que se puede establecer al apagar y encender el equipo. Se recomienda al usuario que intente corregir la interferencia con una o más de las siguientes medidas:

- 1) Reoriente o reubique la antena de recepción.
- 2) Aumente la separación entre el equipo y el receptor.
- 3) Conecte el equipo a un tomacorriente de un circuito distinto al que usa el receptor.
- 4) Solicite ayuda al concesionario o a un técnico con experiencia en radio/TV.

Los cambios o las modificaciones que no estén aprobados por la parte responsable del cumplimiento para FCC podrían anular la autorización del usuario para utilizar el equipo. Este electrodoméstico cumple con la Parte 15 de las reglas FCC.

El funcionamiento está sujeto a las siguientes dos condiciones:

- 1) Este dispositivo no debe causar interferencia perjudicial.
- 2) Este dispositivo deberá aceptar cualquier interferencia recibida, incluida la interferencia que pudiese causar la operación no deseada.

## **CUIDADO Y MANTENIMIENTO**

---

**PRECAUCIÓN:** Antes de limpiar o realizar mantenimiento a esta unidad, desconecte el equipo de cualquier tomacorriente.

- 1) NO utilice gasolina, benceno, disolvente ni otros productos químicos para limpiar este aparato, ya que estas sustancias pueden causar daños en el acabado y deformar las piezas de plástico.
- 2) NUNCA intente limpiar la unidad vertiendo agua directamente sobre cualquiera de las superficies, ya que esto provocaría el deterioro de los componentes eléctricos y el aislamiento del cableado.
- 3) Desenchufe siempre la unidad antes de realizar el mantenimiento.
- 4) Limpie la unidad; para ello, quite la suciedad/polvo con un paño suave y húmedo o una aspiradora y, luego, seque con un paño suave y seco.

**PRECAUCIÓN:** Guarde siempre la unidad en posición vertical. NO coloque objetos pesados sobre la unidad.

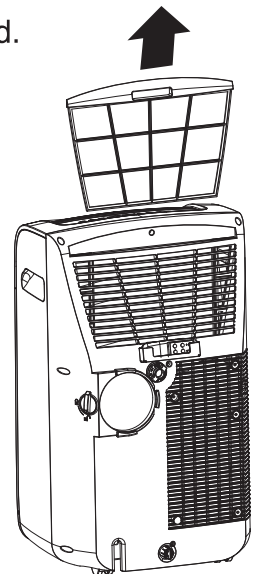
### **LIMPIEZA DEL FILTRO DE AIRE:**

**PRECAUCIÓN:** Nunca opere esta unidad sin el filtro de aire en su lugar, ya que esto puede causar daños a la unidad.

Si el filtro de aire se obstruye con polvo/suciedad, el flujo de aire está restringido, lo que reduce la eficiencia de enfriamiento. El filtro de aire deberá limpiarse aproximadamente cada dos (2) semanas. Es posible que se requiera una limpieza más frecuente según la calidad del aire en interiores.

**NOTA:** El filtro de aire está ubicado en la parte posterior y superior de la unidad.

- 1) Para retirar el filtro de aire: Tire la cubierta del filtro de aire hacia arriba en la dirección de la flecha y retire el filtro de aire.
- 2) El polvo/la suciedad en el filtro obstruido se puede eliminar limpiando con una aspiradora las áreas sucias.
- 3) El filtro también se puede lavar con agua tibia y jabón mientras se frota suavemente con un cepillo. Se recomienda un detergente suave (como un detergente líquido para platos).
- 4) Enjuague bien el filtro con agua limpia. Deje que el filtro se seque por completo antes de volver a instalarlo en la unidad.
- 5) Reemplace el filtro de aire y tape.
- 6) Para obtener información sobre el reemplazo de filtros, llame al Departamento de Servicio al Cliente, al 1-855-900-1298 (U.S.) / 1-800-919-6198 (Canada).



## SOLUCIÓN DE PROBLEMAS

PROBLEMA	CAUSA POSIBLE	ACCIÓN CORRECTIVA
La unidad no funciona.	<ol style="list-style-type: none"> <li>1. No hay potencia.</li> <li>2. La unidad no está enchufada de manera correcta.</li> <li>3. El tanque de agua está lleno. La luz de advertencia de DETENCIÓN se iluminará.</li> <li>4. La corriente eléctrica tiene fugas o el botón de prueba en el enchufe LCDI está presionado.</li> </ol>	<ol style="list-style-type: none"> <li>1. Espere que la potencia regrese.</li> <li>2. Conéctela correctamente.</li> <li>3. Retire el agua del desagüe del tanque de desagüe (consulte la página 9).</li> <li>4. Presione el botón de reinicio después de resolver el problema.</li> </ol>
La unidad se detiene repentinamente durante la operación.	<ol style="list-style-type: none"> <li>1. Se alcanzó la temperatura en interiores.</li> <li>2. El tiempo predeterminado se agotó.</li> <li>3. El tanque de agua está lleno. La luz de advertencia de DETENCIÓN se iluminará.</li> </ol>	<ol style="list-style-type: none"> <li>1. La unidad se reiniciará cuando la temperatura ascienda.</li> <li>2. Restablezca el temporizador.</li> <li>3. Retire el agua del desagüe del tanque de desagüe (consulte la página 9).</li> </ol>
La unidad funciona de manera intermitente.	<ol style="list-style-type: none"> <li><b>1. La temperatura circundante es más calurosa/fría que el ajuste de temperatura.</b></li> <li>2. La manguera del ducto de descarga está bloqueada.</li> </ol>	<ol style="list-style-type: none"> <li><b>1. Esto es normal. La unidad no tiene que estar funcionando constantemente en esta condición.</b></li> <li>2. Verifique y desbloquee la manguera del ducto.</li> </ol>
La unidad funciona, pero la habitación no se enfría.	<ol style="list-style-type: none"> <li>1. La ventana o la puerta están abiertas en la habitación.</li> <li>2. Hay una fuente de calor o hay muchas personas en la habitación.</li> <li>3. La rejilla de entrada de aire está obstruida.</li> <li>4. El filtro está demasiado sucio.</li> <li>5. El ajuste de temperatura está demasiado alto/caluroso.</li> </ol>	<ol style="list-style-type: none"> <li>1. Cierre todas las ventanas/puertas.</li> <li>2. Retire cualquier fuente de calor de la habitación y mueva la unidad cerca del lugar en donde se sienta. Este aire acondicionado portátil solo sirve para la refrigeración local y debe colocarse cerca del área de estar para obtener un mejor efecto de enfriamiento.</li> <li>3. Limpie la rejilla de entrada de aire.</li> <li>4. Reemplace el filtro.</li> <li>5. Baje el ajuste de temperatura.</li> </ol>
El agua condensada se derrama al mover la unidad.	<ol style="list-style-type: none"> <li>1. El tanque de agua está casi lleno.</li> </ol>	<ol style="list-style-type: none"> <li>1. Siga las instrucciones de la página 9 sobre agua de desagüe.</li> </ol>

## **GARANTÍA**

---

### **GARANTÍA LIMITADA DE ELECTRODOMÉSTICOS**

Se garantiza que este producto de calidad no presentará defectos de fabricación en el material ni en la mano de obra, siempre que la unidad se utilice en las condiciones de operación normales previstas por el fabricante. Esta garantía solamente está disponible para la persona a la que el fabricante, o un distribuidor autorizado por el fabricante, vendieron originalmente la unidad y no es transferible.

### **TÉRMINOS DE GARANTÍA**

Las piezas plásticas cuentan con garantía por un período de treinta (30) días desde la fecha de compra, sin extensiones.

Los PRIMEROS 12 meses:

Durante los primeros doce (12) meses, todas las piezas funcionales de este producto que se encuentren defectuosas, serán reparadas o reemplazadas, a opción del garante, sin costo alguno para el comprador ORIGINAL.

Para obtener el servicio, consulte la información de contacto que se encuentra a continuación:

Residentes de los EE. UU.: Llame al 1-855-900-1298

Residentes de CANADÁ: Llame al **1-855-900-1298**

**O BIEN, DEVUELVA EL PRODUCTO A LA TIENDA DONDE LO COMPRÓ PARA REEMPLAZARLO.**

### **EXCLUSIONES**

Salvo lo aquí indicado, no existen otras garantías, condiciones, representaciones o garantías, expresas o implícitas, hechas o previstas por el fabricante o sus distribuidores autorizados y todas las demás garantías, condiciones, representaciones o garantías, incluidas las garantías, condiciones, representaciones o garantías en virtud de cualquier Ley de venta de bienes, o legislación o estatuto similar quedan expresamente excluidas. Salvo lo aquí indicado, el fabricante no será responsable por ningún daño a personas o a la propiedad, incluida la unidad en sí, independientemente de su causa o los daños ocasionados por el mal funcionamiento de la unidad y por la compra de la unidad; el comprador acuerda mediante el presente indemnizar y eximir de responsabilidad al fabricante de cualquier reclamación por daños a personas o a la propiedad causados por la unidad.

Dado que algunos estados no permiten la limitación o la exclusión de daños accidentales o resultantes, o no permiten limitaciones en garantías implícitas, es posible que las limitaciones y las exclusiones anteriores no se apliquen a usted. Esta garantía le otorga derechos legales específicos, pero podría tener también otros derechos que varían según el estado.

### **DISPOSICIONES GENERALES**

Ninguna garantía o seguro de lo contenido o establecido en el presente se aplicará cuando el daño o la reparación sea causada por lo siguiente:

- 1) Falla de energía.
- 2) Daño en el tránsito o al mover el electrodoméstico.
- 3) Suministro de electricidad inadecuado como bajo voltaje, cableado de la casa defectuoso o fusibles inadecuados.
- 4) Accidentes, alteraciones, abuso o mal uso del electrodoméstico, como circulación inadecuada de aire en la habitación o condiciones anormales de operación (temperatura ambiente demasiado alta o baja).
- 5) Uso con fines comerciales o industriales (es decir, si el electrodoméstico no se instala en una residencia doméstica).
- 6) Incendio, daños producidos por agua; robo; guerra; motín; hostilidad; desastres naturales, como huracanes, inundaciones, etc.
- 7) Llamadas de Servicio al Cliente para educación del cliente.
- 8) Instalación inadecuada (es decir, construcción de un electrodoméstico independiente o utilización de un electrodoméstico en exteriores que no esté aprobado para su uso en exteriores).

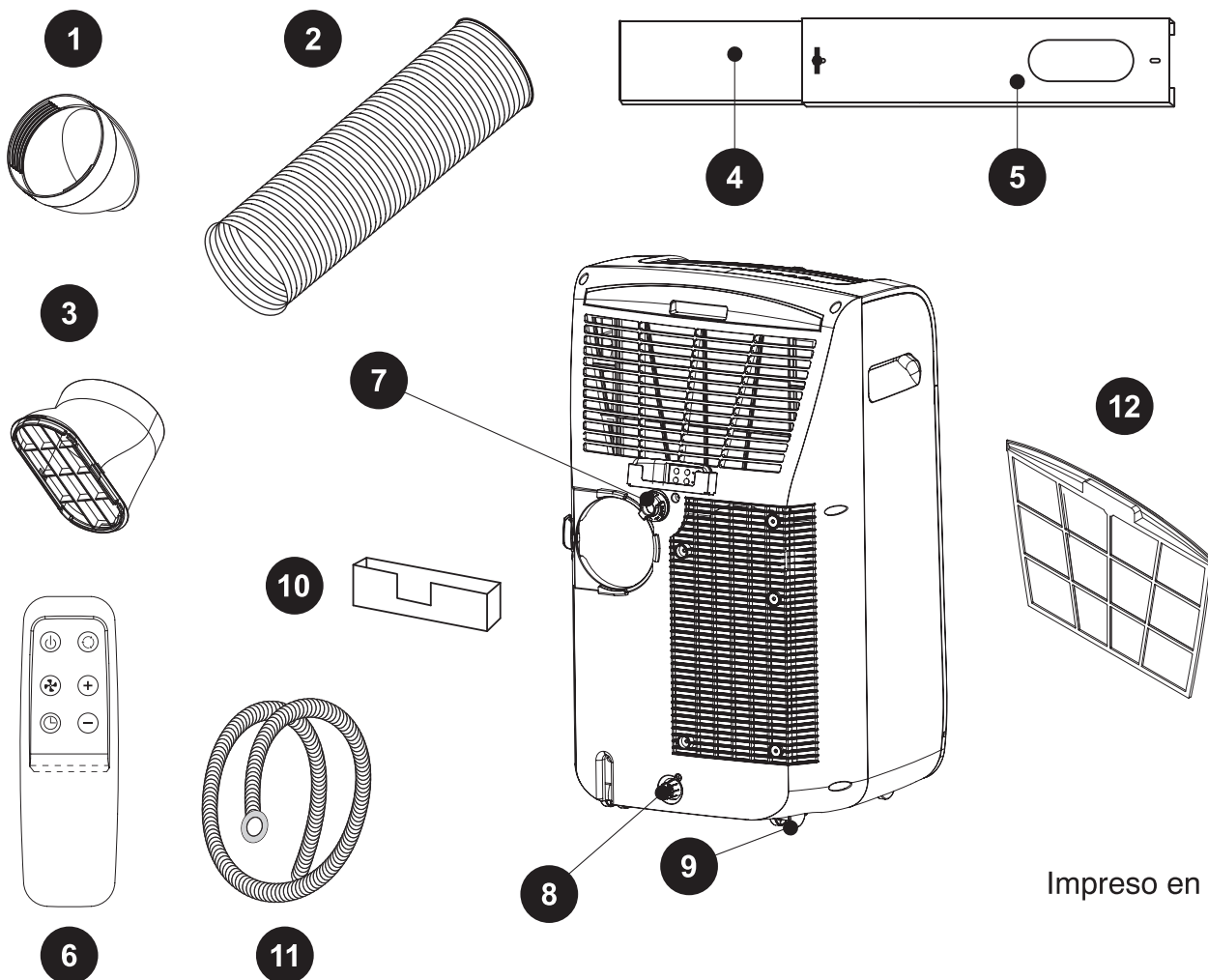
Se requerirá un comprobante de la fecha de compra para las reclamaciones de garantía, conserve los comprobantes de venta.



## LISTA DE PIEZAS DE REPUESTO

Para obtener piezas de repuesto, llame a nuestro Departamento de Servicio al Cliente al 1-855-900-1298 (EE. UU.) / **1-855-900-1298** (CANADÁ) de lunes a viernes, de 8 a.m. a 6 p.m., hora del Este, y de lunes a jueves, de 8 a.m. a 5 p.m., hora estándar del Este.

PIEZA	DESCRIPCIÓN	PIEZA #
1	Conector para boquillas de escape	A5815-320-H-D2
2	Manguera de escape flexible	A6200-070-D2
3	Boquilla para el panel de la ventana	A4267-010-D2
4	Extensión para panel de ventana	A5700-663-V-D2
5	Panel para ventana	A5700-642-V-D2
6	Control remoto	A2529-090-AA14
7	Cubierta del desagüe (desagüe directo del deshumidificador) + Tapón de desagüe	A7305-020-A-D2
8	Cubierta del desagüe inferior	A7305-030-A-22
9	Rueda	A7402-020
10	Soporte del control remoto	A5825-620-A-D2
11	Manguera de desagüe directo	D7216-020
12	Filtro de aire	A7331-010



Impreso en China

**AeonAir**®